

Valves - Series GSCU

Product code: GSCU 806-1/4-10

Datasheet creation date: 19/05/2026 17:11

Check the most updated document online [click here](#)

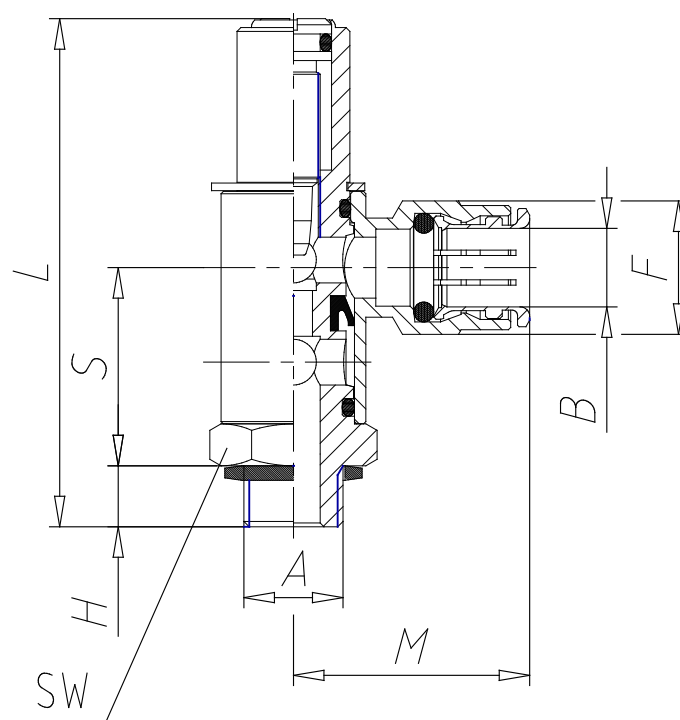


TECHNICAL DATA

Mod.	GSCU 806-1/4-10
------	-----------------

Valves - Series GSCU

Product code: GSCU 806-1/4-10



DIMENSIONS

A	G1/4
B (mm)	10
S (mm)	27.0
H (mm)	7
L (mm)	67.5
M (mm)	31.0
F (mm)	17.5
SW (mm)	19