

Valves - Series GSCU

Product code: GSCU 803-1/8-6

Datasheet creation date: 19/05/2026 08:51

Check the most updated document online [click here](#)

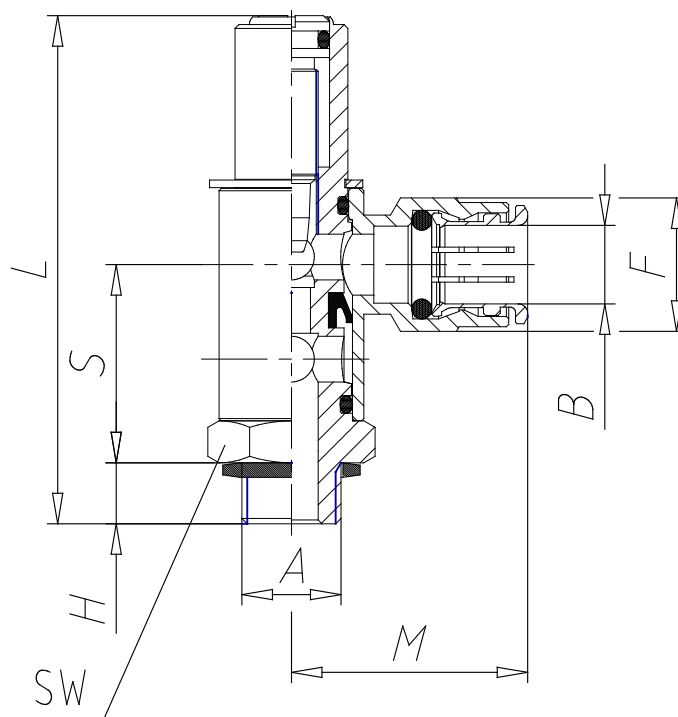


TECHNICAL DATA

Mod.	GSCU 803-1/8-6
------	----------------

Valves - Series GSCU

Product code: GSCU 803-1/8-6



DIMENSIONS

A	G1/8
B (mm)	6
S (mm)	22.5
H (mm)	5
L (mm)	50.0
M (mm)	26.5
F (mm)	13.0
SW (mm)	14