

Valves - Series GMCU

Product code: GMCU 906-1/4-10

Datasheet creation date: 19/05/2026 17:11

Check the most updated document online [click here](#)

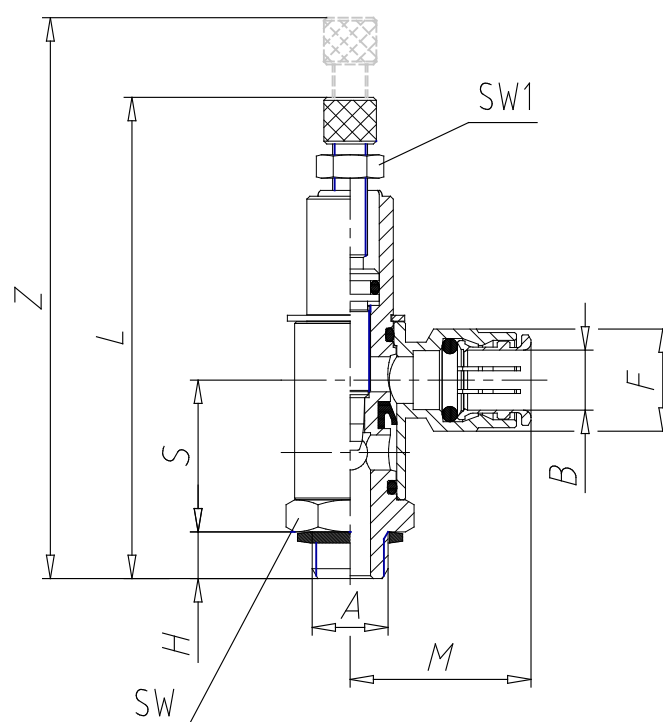


TECHNICAL DATA

Mod.	GMCU 906-1/4-10
------	-----------------

Valves - Series GMCU

Product code: GMCU 906-1/4-10



DIMENSIONS

A	G1/4
B (mm)	10
S (mm)	27.0
H (mm)	7
L (mm)	85.0
Z (mm)	97.5
M (mm)	31.0
F (mm)	17.5
SW (mm)	19
SW1 (mm)	10.0