

## Valves - Series GMCU

Product code: GMCU 903-1/8-6

Datasheet creation date: 19/05/2026 17:11

Check the most updated document online [click here](#)

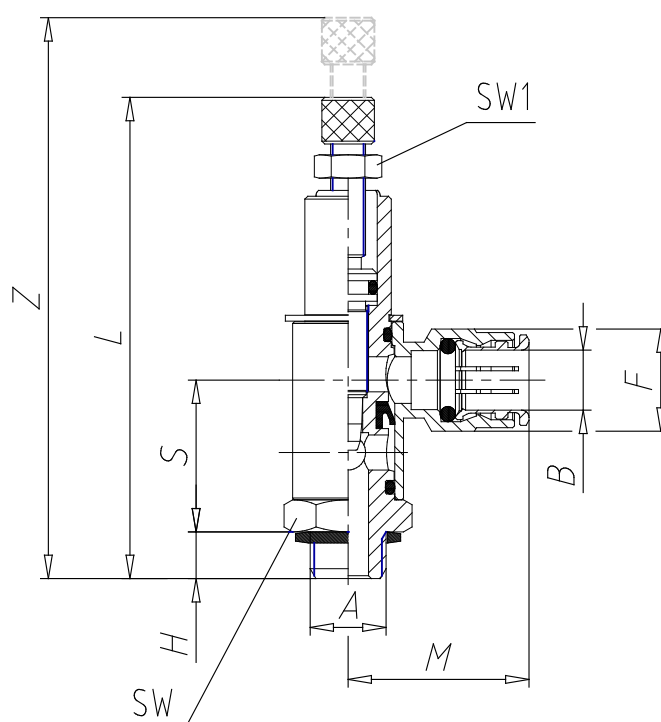


### TECHNICAL DATA

Mod.	GMCU 903-1/8-6
------	----------------

## Valves - Series GMCU

Product code: GMCU 903-1/8-6



### DIMENSIONS

<b>A</b>	G1/8
<b>B (mm)</b>	6
<b>S (mm)</b>	22.5
<b>H (mm)</b>	5
<b>L (mm)</b>	65.5
<b>Z (mm)</b>	72.5
<b>M (mm)</b>	26.5
<b>F (mm)</b>	13.0
<b>SW (mm)</b>	14
<b>SW1 (mm)</b>	7.0