

Self compensating adaptor - Mod. GKF

Product code: GKF-20

Datasheet creation date: 19/05/2026 09:04

Check the most updated document online [click here](#)

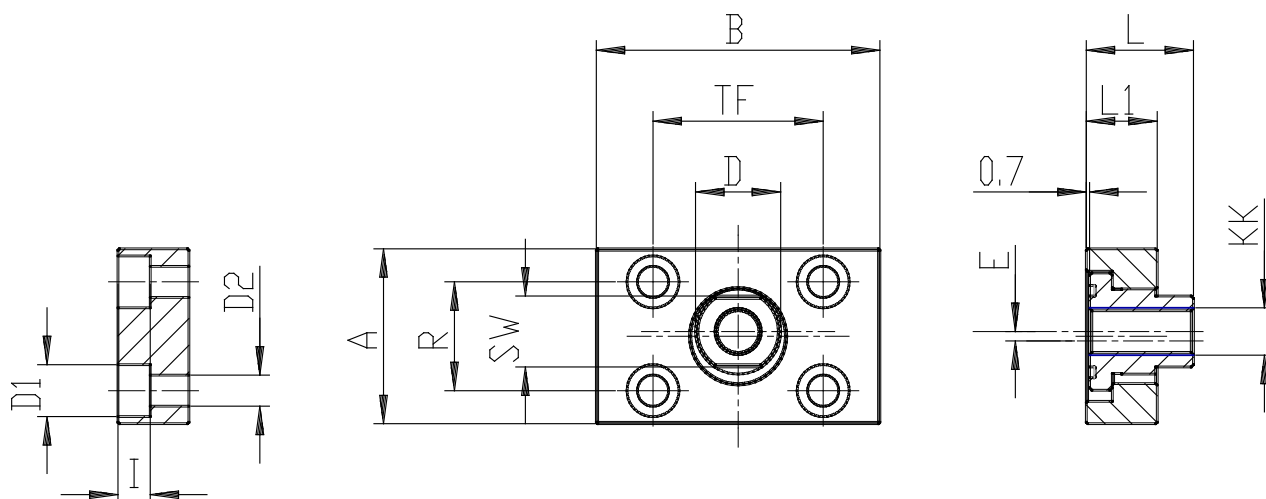


TECHNICAL DATA

Mod.	GKF-20
------	--------

Self compensating adaptor - Mod. GKF

Product code: GKF-20



DIMENSIONS

KK	M8X1,25
A (mm)	30
B (mm)	35
R (mm)	20
TF (mm)	25
L (mm)	22.5
L1 (mm)	10
I (mm)	0.0
D (mm)	14.0
D1 (mm)	5.5
D2 (mm)	0.0
SW (mm)	13
E (mm)	1.5