

## Rod Fork - Mod. G

Product code: G-41-125

Datasheet creation date: 19/05/2026 08:31

Check the most updated document online [click here](#)

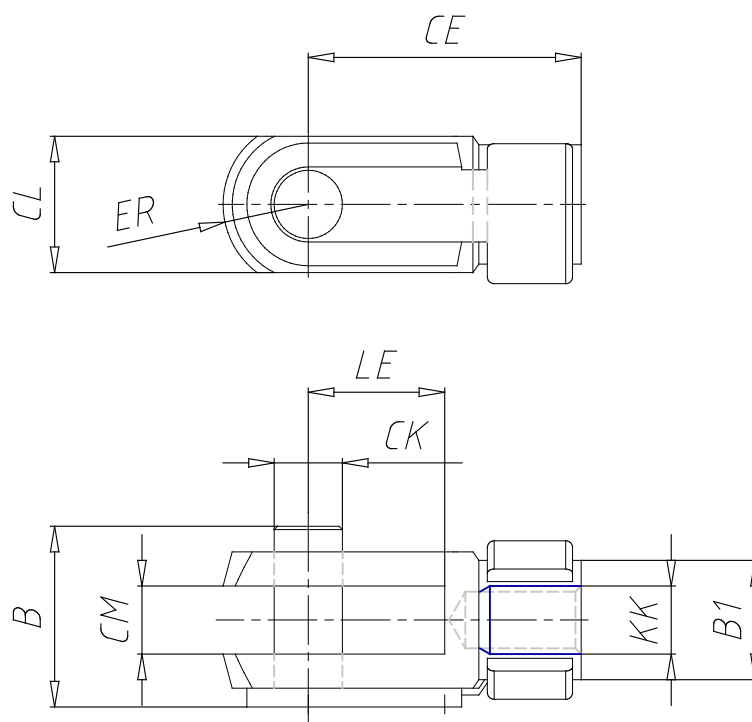


### TECHNICAL DATA

Mod.	G-41-125
------	----------

## Rod Fork - Mod. G

Product code: G-41-125



### DIMENSIONS

Ø CK (mm)	30
LE (mm)	54
CM (mm)	30
CL (mm)	55
ER (mm)	38
CE (mm)	110
KK	M27x2
B (mm)	74
Ø B1 (mm)	48