

Rod Fork - Mod. G

Product code: G-40

Datasheet creation date: 19/05/2026 09:06

Check the most updated document online [click here](#)

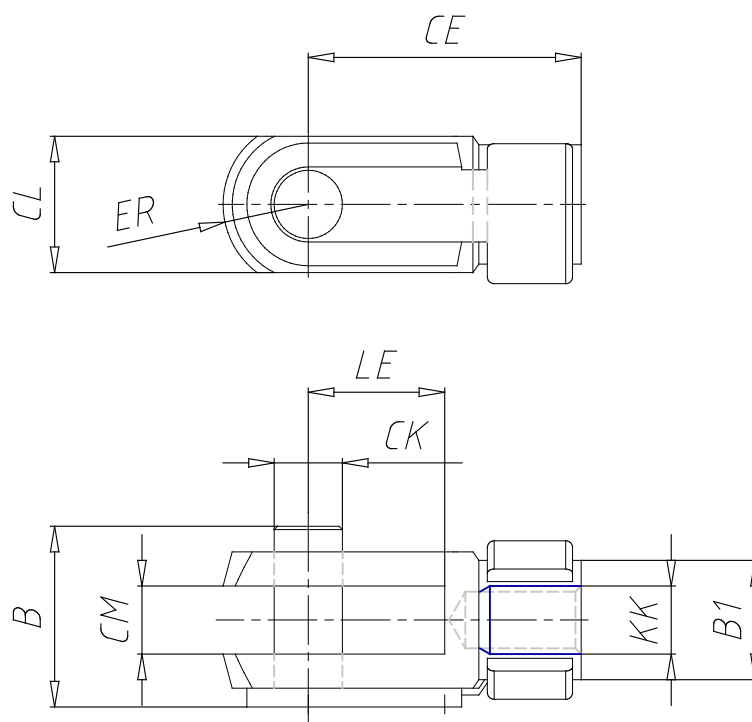


TECHNICAL DATA

Mod.	G-40
------	------

Rod Fork - Mod. G

Product code: G-40



DIMENSIONS

Ø CK (mm)	12
LE (mm)	24
CM (mm)	12
CL (mm)	24
ER (mm)	14
CE (mm)	48
KK	M12x1.25
B (mm)	32
Ø B1 (mm)	20