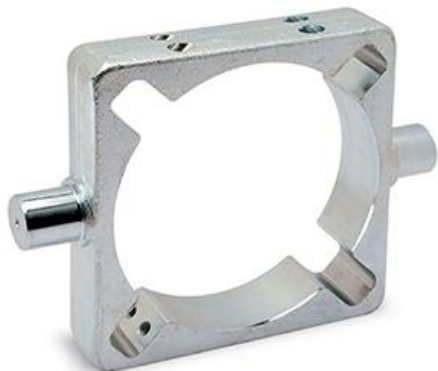


## Centre trunnion - Mod. F-41

Product code: F-41-200

Datasheet creation date: 19/05/2026 08:31

Check the most updated document online [click here](#)

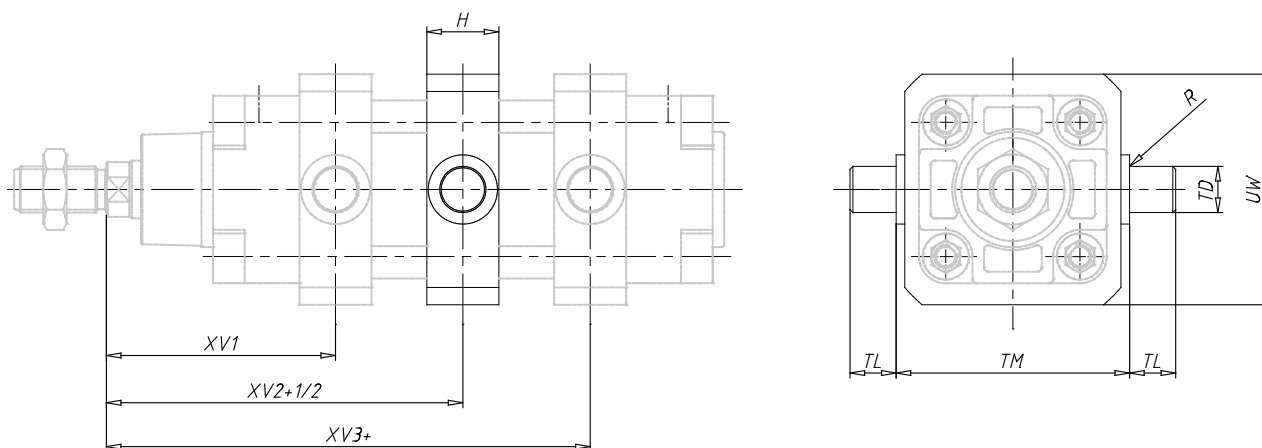


### ■ TECHNICAL DATA

Mod.	F-41-200
------	----------

## Centre trunnion - Mod. F-41

Product code: F-41-200



### DIMENSIONS

<b>XV1 (mm)</b>	160
<b>XV2 (mm)</b>	185
<b>XV3 (mm)</b>	210
<b>TM (mm)</b>	250
<b>TK (mm)</b>	40
<b>TD (mm)</b>	32
<b>TL (mm)</b>	32
<b>UW (mm)</b>	240
<b>R (mm)</b>	0.2