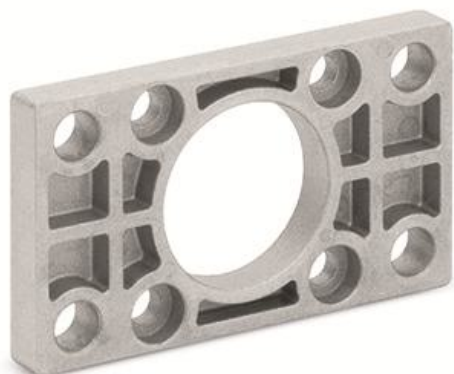


## Front and rear flange - Mod. D-E

Product code: D-E-41-32

Datasheet creation date: 19/05/2026 08:30

Check the most updated document online [click here](#)

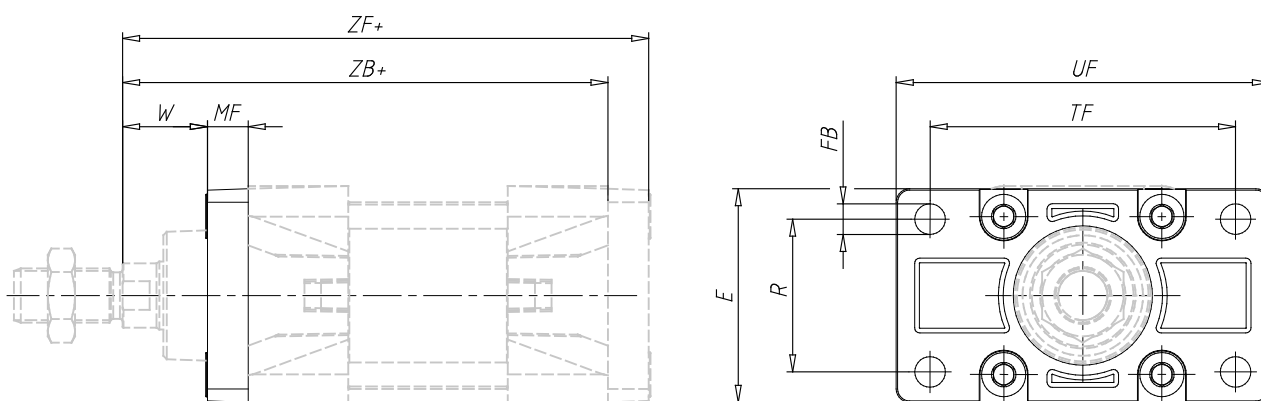


### ■ TECHNICAL DATA

Mod.	D-E-41-32
------	-----------

## Front and rear flange - Mod. D-E

Product code: D-E-41-32



### DIMENSIONS

<b>W (mm)</b>	16
<b>MF (mm)</b>	10
<b>ZB (mm)</b>	120
<b>TF (mm)</b>	64
<b>R (mm)</b>	32
<b>UF (mm)</b>	80
<b>E (mm)</b>	45
<b>FB H13 (mm)</b>	7.0
<b>ZF (mm)</b>	130
<b>torque force</b>	6 Nm
<b>PF</b>	0