

## Rear and front flange - Mod. D- E

Product code: D-E-32-20

Datasheet creation date: 19/05/2026 08:54

Check the most updated document online [click here](#)

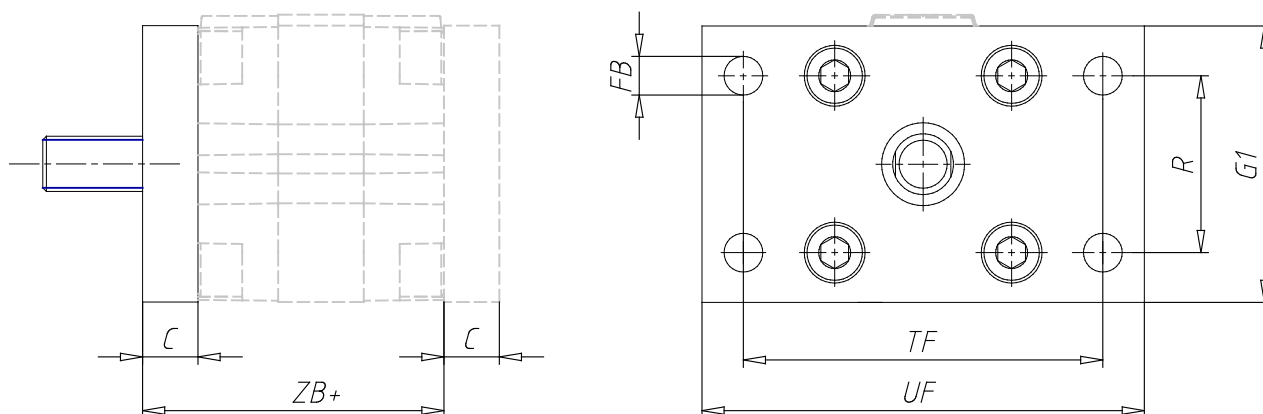


### TECHNICAL DATA

Mod.	D-E-32-20
------	-----------

## Rear and front flange - Mod. D- E

Product code: D-E-32-20



### DIMENSIONS

<b>C (mm)</b>	10
<b>ZB (mm)</b>	48.0
<b>TF (mm)</b>	55
<b>R (mm)</b>	-
<b>UF (mm)</b>	70
<b>G1 (mm)</b>	36
<b>∅ FB (mm)</b>	6.6