

Connector - Mod. CS

Product code: CS-2

Datasheet creation date: 19/05/2026 08:31

Check the most updated document online [click here](#)

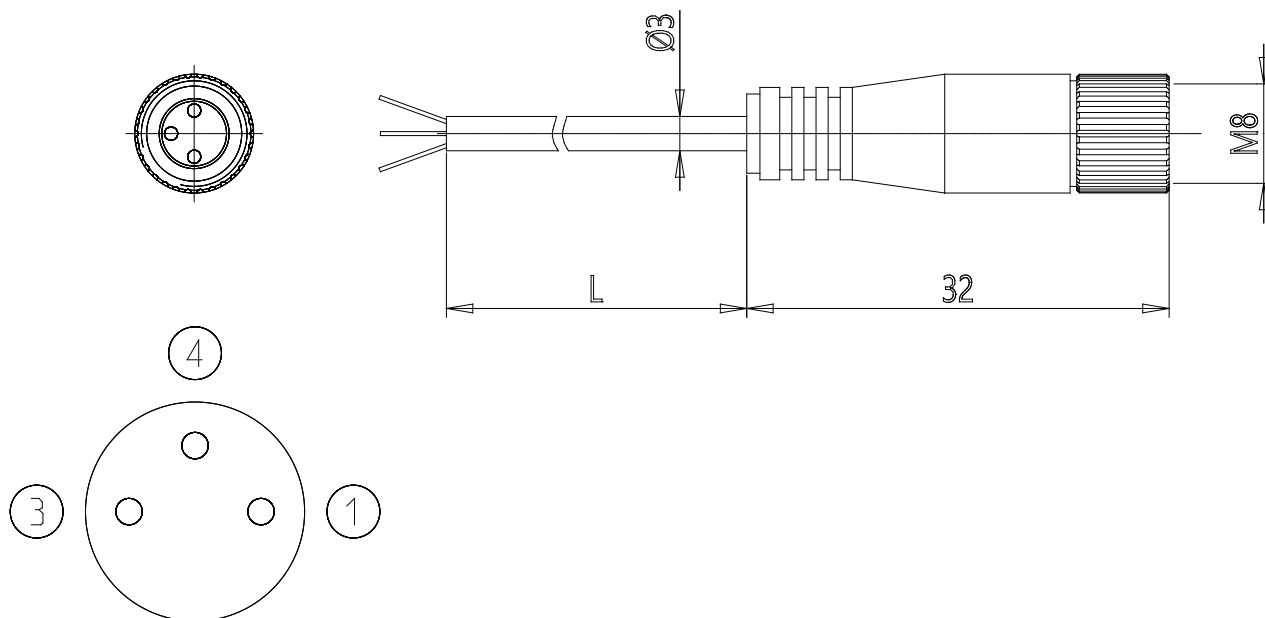


TECHNICAL DATA

Mod.	CS-2
------	------

Connector - Mod. CS

Product code: CS-2



DIMENSIONS

length (mt)	2
-------------	---