

## Blanking plate for CNVL manifolds, Mod. CNVL... - Serie 3

Product code: CNVL/4

Datasheet creation date: 19/05/2026 08:31

Check the most updated document online [click here](#)

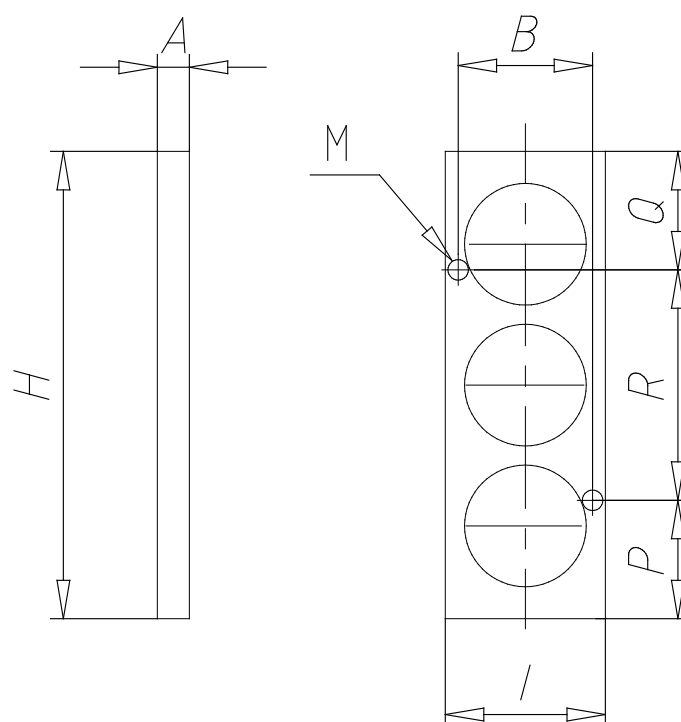


### TECHNICAL DATA

Mod.	CNVL/4
SD	serie 3 da 1/4"

## Blanking plate for CNVL manifolds, Mod. CNVL... - Serie 3

Product code: CNVL/4



### DIMENSIONS

<b>A (mm)</b>	5
<b>B (mm)</b>	-21.0
<b>H (mm)</b>	73
<b>I (mm)</b>	25
<b>M (mm)</b>	3.2
<b>P (mm)</b>	18.5
<b>Q (mm)</b>	18.5
<b>R (mm)</b>	36.0