

Blanking plate for CNVL manifolds, Mod. CNVL... - Serie 3

Product code: CNVL/1

Datasheet creation date: 19/05/2026 08:31

Check the most updated document online [click here](#)

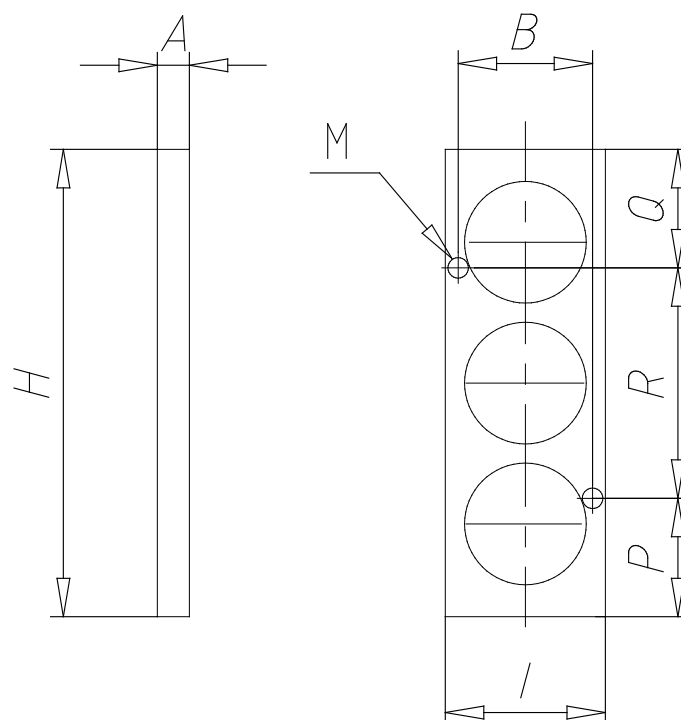


TECHNICAL DATA

Mod.	CNVL/1
SD	serie 3 da 1/8"

Blanking plate for CNVL manifolds, Mod. CNVL... - Serie 3

Product code: CNVL/1



DIMENSIONS

A (mm)	5
B (mm)	17.4
H (mm)	52
I (mm)	22
M (mm)	3.2
P (mm)	10.3
Q (mm)	10.3
R (mm)	31.4