

Initial/final module - Series 3

Product code: CNVL-4H3

Datasheet creation date: 19/05/2026 08:55

Check the most updated document online [click here](#)

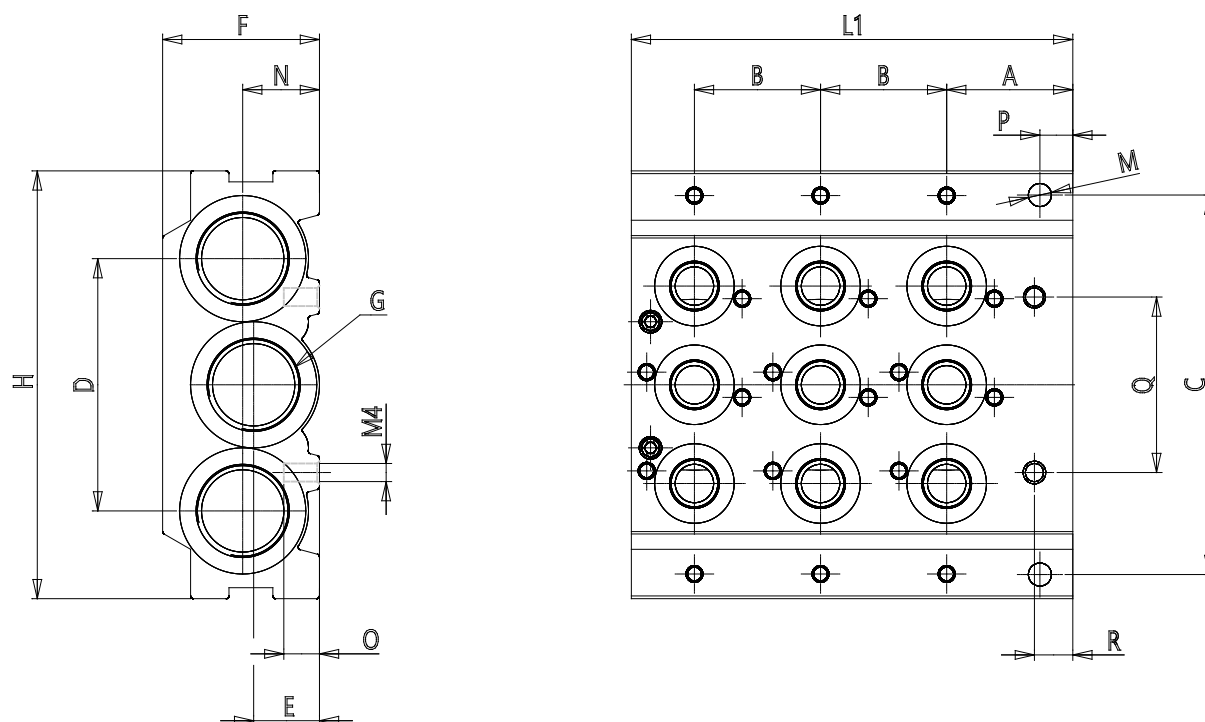


■ TECHNICAL DATA

Mod.	CNVL-4H3
------	----------

Initial/final module - Series 3

Product code: CNVL-4H3



DIMENSIONS

A (mm)	26
B (mm)	26
C (mm)	88.0
D (mm)	60
E (mm)	14
F (mm)	29
H (mm)	98
L1 (mm)	91.0
M (mm)	4.3
N (mm)	14
O (mm)	5
P (mm)	5
Q (mm)	38
R (mm)	7
G	1/2