

Initial/final module - Series 3

Product code: CNVL-3H3

Datasheet creation date: 19/05/2026 08:31

Check the most updated document online [click here](#)

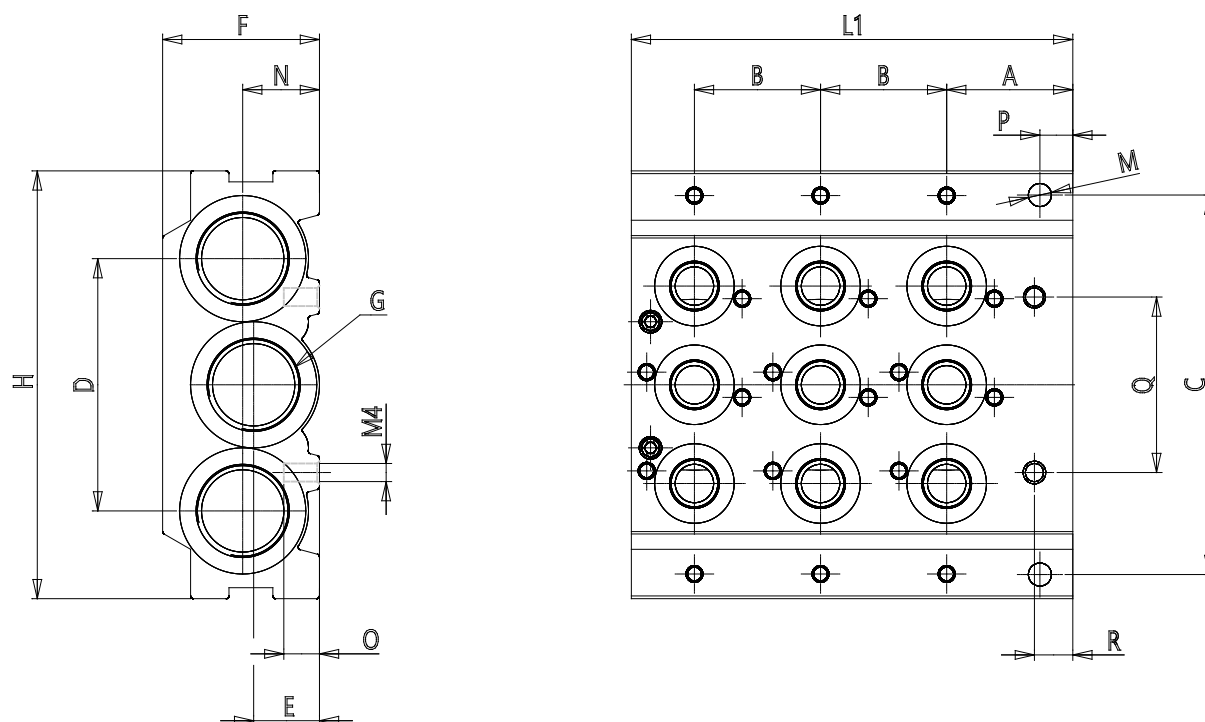


TECHNICAL DATA

| | |
|------|----------|
| Mod. | CNVL-3H3 |
|------|----------|

Initial/final module - Series 3

Product code: CNVL-3H3



DIMENSIONS

| | |
|---------|------|
| A (mm) | 23 |
| B (mm) | 23 |
| C (mm) | 69.5 |
| D (mm) | 46 |
| E (mm) | 12 |
| F (mm) | 29 |
| H (mm) | 78 |
| L1 (mm) | 80.5 |
| M (mm) | 4.3 |
| N (mm) | 14 |
| O (mm) | 5 |
| P (mm) | 6 |
| Q (mm) | 32 |
| R (mm) | 7 |
| G | 3/8 |