

Foot mount - Mod. B

Product code: B-20-25

Datasheet creation date: 19/05/2026 08:30

Check the most updated document online [click here](#)

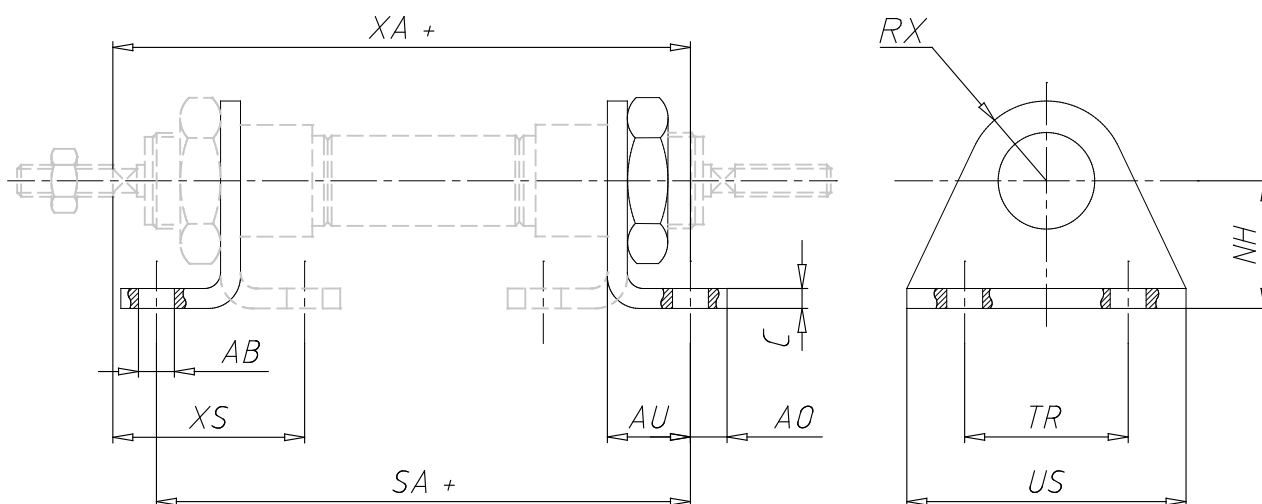


TECHNICAL DATA

Model	B-20-25
-------	---------

Foot mount - Mod. B

Product code: B-20-25



DIMENSIONS

TR (mm)	40
US (mm)	54
AB (mm)	6.6
C (mm)	4.0
NH (mm)	25
AO (mm)	8.0
AU (mm)	16.0
NH (mm)	20
XA (mm)	108.0
XS (mm)	36
R (mm)	11.05