

Solenoids for solenoid valves - Mod. A8D

Product code: A8D

Datasheet creation date: 19/05/2026 08:45

Check the most updated document online [click here](#)

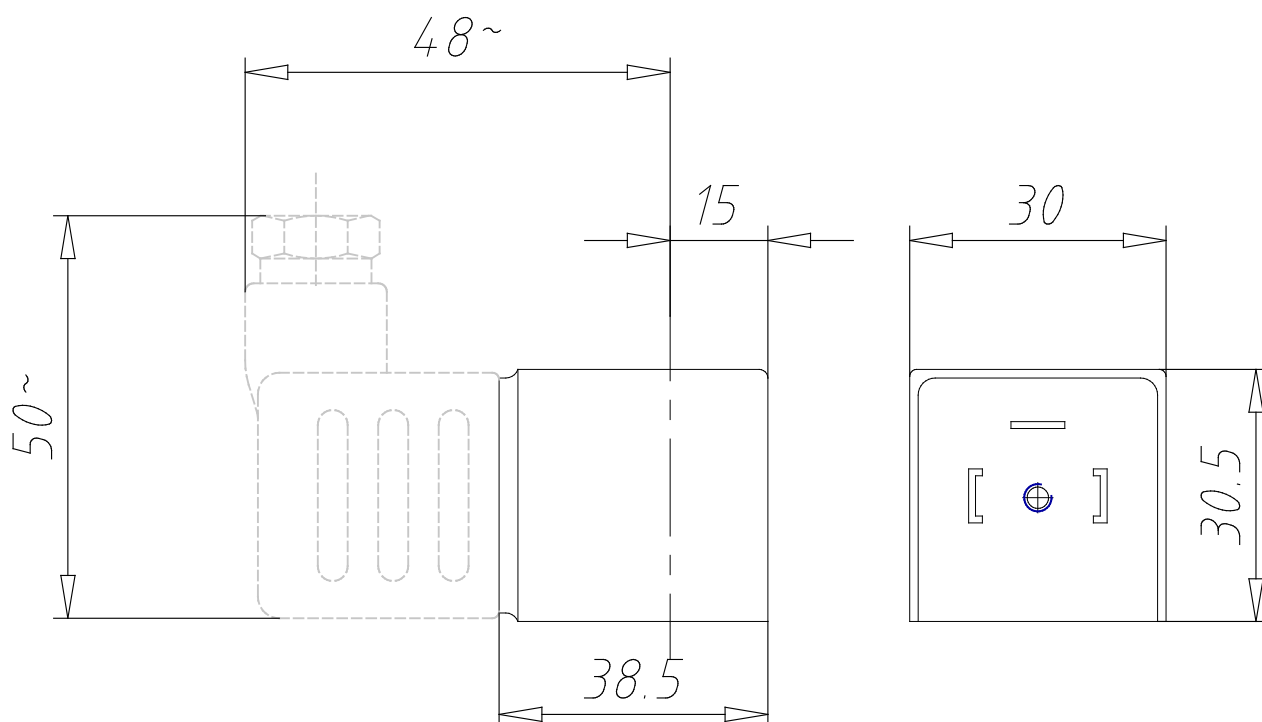


TECHNICAL DATA

Mod.	A8D
Voltage (V)	110
Frequency (Hz)	50 / 60
Power absorption	5 VA

Solenoids for solenoid valves - Mod. A80

Product code: A8D



DIMENSIONS

Mod.	A8D
Voltage (V)	110
Frequency (Hz)	50 / 60
Power absorption	5 VA