

## Stainless steel cylinders - Series 97

Product code: 97M2A063A0100

Datasheet creation date: 19/05/2026 15:42

Check the most updated document online [click here](#)

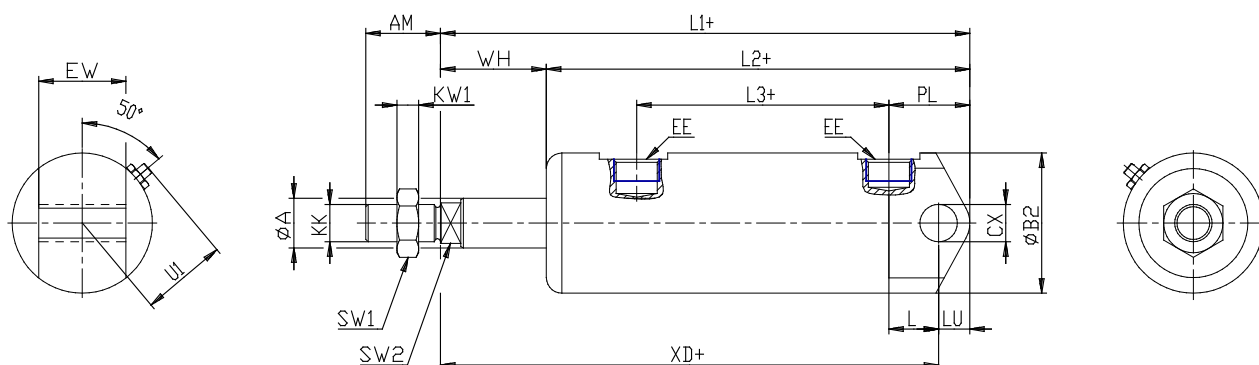


### TECHNICAL DATA

<b>Series</b>	97
<b>Version</b>	M = rear male bracket
<b>Operation</b>	2 = double-acting (front and rear cushioning)
<b>Materials</b>	A = stainless steel AISI 304 - PU seals
<b>Diameter (mm)</b>	63
<b>Construction</b>	A = standard (locking ring for end cap V + lock nut for rod U)
<b>Stroke (mm)</b>	100
<b>Rod length (mm)</b>	0
<b>rod seal in FKM</b>	-

## Stainless steel cylinders - Series 97

Product code: 97M2A063A0100



### DIMENSIONS

Ø A (mm)	20
AM (mm)	32
Ø B (mm)	-
Ø B2 (mm)	68
CB (mm)	-
CX (mm)	16
EE	G3/8
EP (mm)	-
EX (mm)	-
EW (mm)	40
F (mm)	6
G (mm)	53
KK	M16X1,5
PL (mm)	29.5
SW (mm)	-
SW1 (mm)	24
KW1 (mm)	8
SW2 (mm)	17
U1 (mm)	40
WH (mm)	50.0
L1 (mm)	202.0
L2 (mm)	152.0
L3 (mm)	95

L4 (mm)	-
L7 (mm)	-
L (mm)	21
LT (mm)	-
LU (mm)	12
KW (mm)	-
Ø KV (mm)	-
XD (mm)	190
XG (mm)	-
TD (mm)	-
TL (mm)	-
UB (mm)	-
UT (mm)	-
ZC (mm)	-
Z (mm)	-