

End block for manifold sub-base (VDMA 24345) - Series 9

Product code: 903-H3

Datasheet creation date: 19/05/2026 08:31

Check the most updated document online [click here](#)

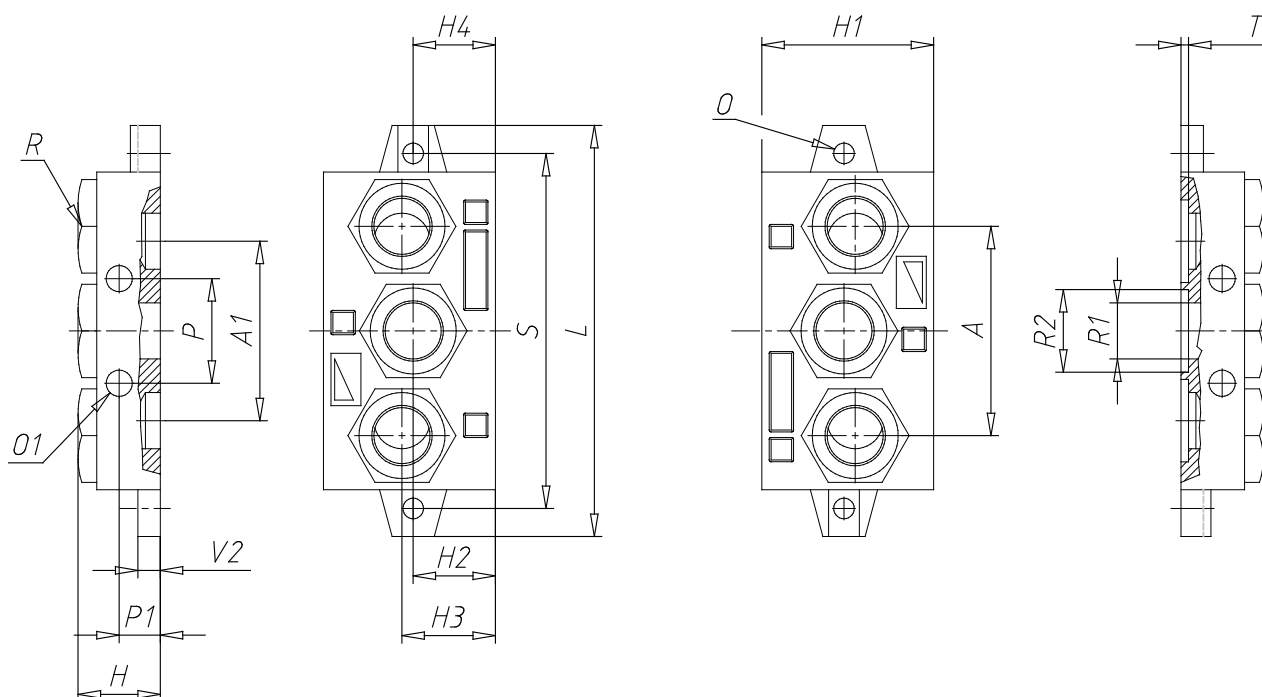


TECHNICAL DATA

Mod.	903-H3
Size	3

End block for manifold sub-base (VDMA 24345) - Series 9

Product code: 903-H3



DIMENSIONS

A (mm)	104
A1 (mm)	94
H (mm)	30
H1 (mm)	56
H2 (mm)	22
H3 (mm)	25
H4 (mm)	25
L (mm)	190
O (mm)	9.0
O1 (mm)	12
P (mm)	52
P1 (mm)	15
R	G1
ØR1	28.0
ØR2	38.0
S (mm)	168
T (mm)	2.7
V2 (mm)	8