

## End block with front outlets (VDMA 24345) - Series 9

Product code: 901-N1

Datasheet creation date: 20/05/2026 01:56

Check the most updated document online [click here](#)

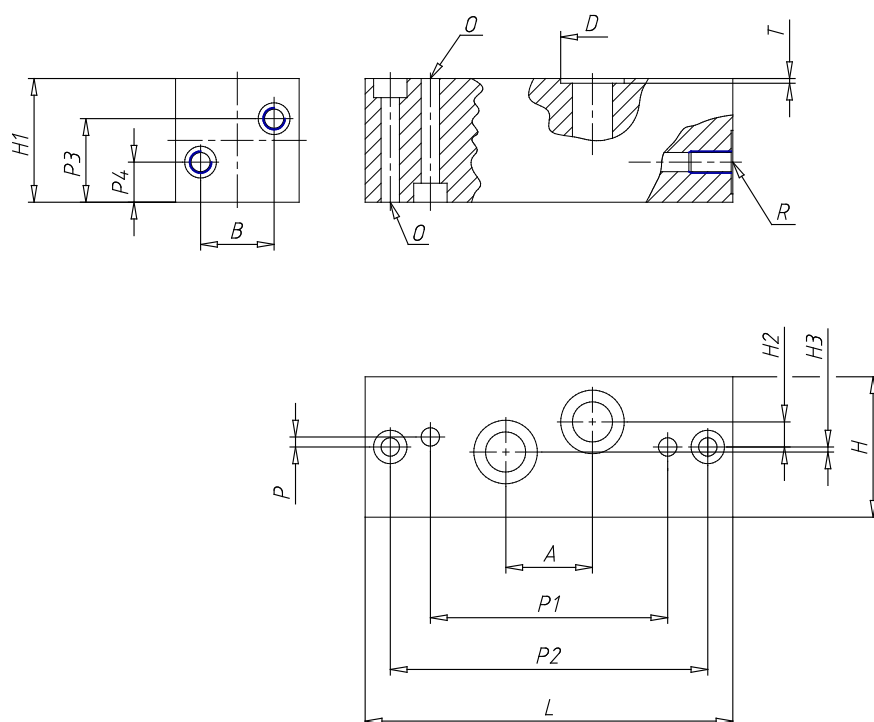


### TECHNICAL DATA

|      |        |
|------|--------|
| Mod. | 901-N1 |
| Size | 1      |

## End block with front outlets (VDMA 24345) - Series 9

Product code: 901-N1



### DIMENSIONS

|         |      |
|---------|------|
| A (mm)  | 26   |
| B (mm)  | 22   |
| D (mm)  | 19   |
| H (mm)  | 42   |
| H1 (mm) | 37   |
| H2 (mm) | 7.5  |
| H3 (mm) | 1.5  |
| L (mm)  | 110  |
| O (mm)  | 5.5  |
| P (mm)  | 3    |
| P1 (mm) | 71   |
| P2 (mm) | 95   |
| P3 (mm) | 25   |
| P4 (mm) | 12   |
| R       | G1/4 |
| T (mm)  | 1.4  |