

End blocks for manifold bases with front outlets - Series 9

Product code: 901-HN1

Datasheet creation date: 19/05/2026 08:31

Check the most updated document online [click here](#)

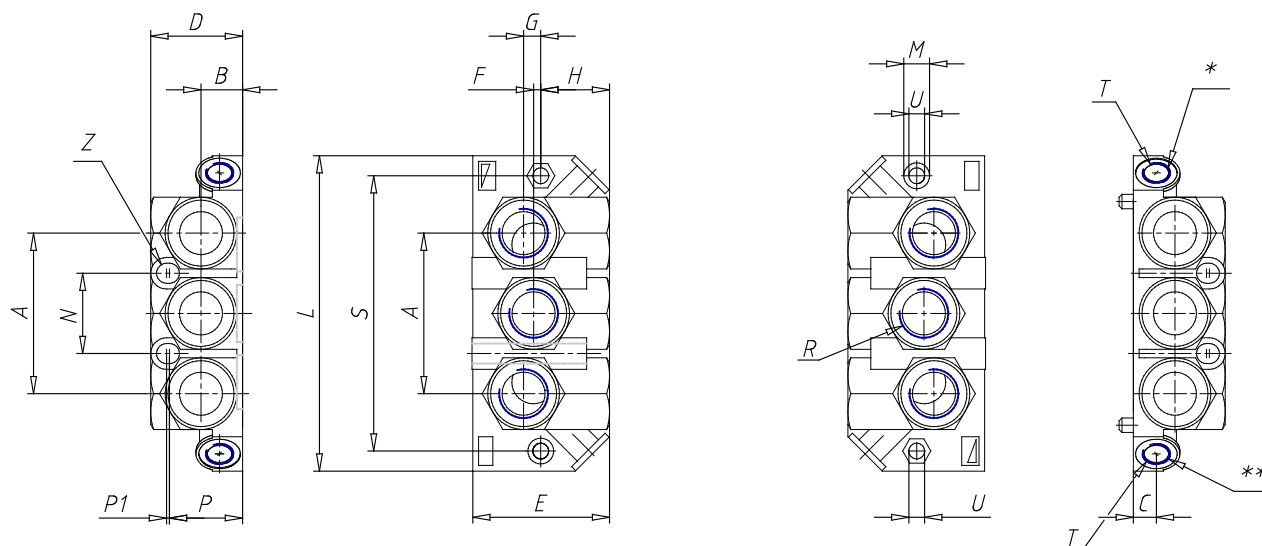


■ TECHNICAL DATA

Mod. (pair)	901-HN1
Size	1

End blocks for manifold bases with front outlets - Series 9

Product code: 901-HN1



DIMENSIONS

A (mm)	56
B (mm)	14.5
C (mm)	8
D (mm)	32
E (mm)	48
F (mm)	2.5
G (mm)	6
H (mm)	24
L (mm)	110
M (mm)	9
N (mm)	28
P (mm)	25.5
P1 (mm)	1
R	3/8"
heavy (mm)	96
T	G1/8
U (mm)	5.5
Z (mm)	3.5