

Mod. 7632 03 - Fittings Series 7000 - Automation

Product code: 7632 03-1/4

Datasheet creation date: 19/05/2026 18:08

Check the most updated document online [click here](#)

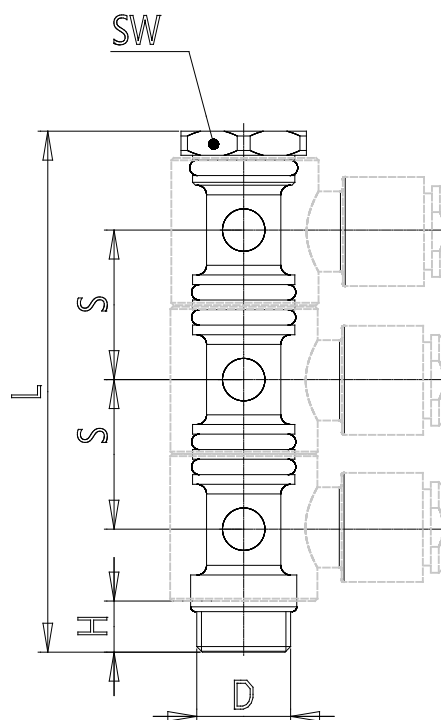


■ TECHNICAL DATA

Mod.	7632 03-1/4
------	-------------

Mod. 7632 03 - Fittings Series 7000 - Automation

Product code: 7632 03-1/4



DIMENSIONS

D	G1/4
E (mm)	9.2
L (mm)	64.5
N (mm)	25.0
S (mm)	18.5
O (mm)	18.5
V (mm)	15.5
SW (mm)	17
Weight (g)	38