

## Rotary cylinders - Series 69

Product code: 69-125/180-F

Datasheet creation date: 19/05/2026 08:44

Check the most updated document online [click here](#)

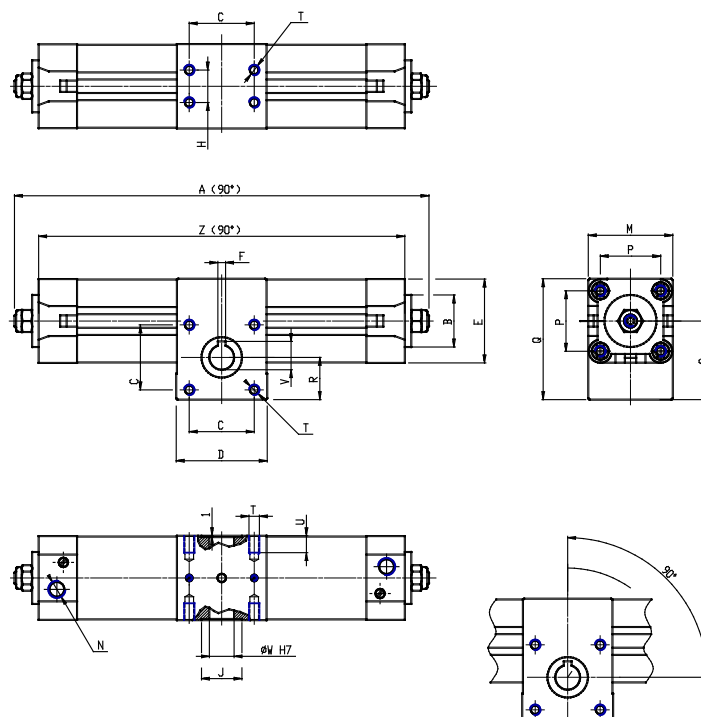


### TECHNICAL DATA

<b>Series</b>	69
<b>Diameter (mm)</b>	125
<b>Rotation (°)</b>	180
<b>Pinion</b>	F=female pinion
<b>Seals material</b>	= NBR

## Rotary cylinders - Series 69

Product code: 69-125/180-F



### DIMENSIONS

A (mm)	681.0
B d11 (mm)	60
C (mm)	90
D (mm)	125
E (mm)	135.0
F (mm)	8
G (mm)	38
H (mm)	70
J (mm)	60
K (mm)	45
L (mm)	51
M (mm)	140
N	G1/2
P (mm)	110.0
Q (mm)	188.0
R (mm)	60.0
S (mm)	118.0
T	M12
U (mm)	20
V (mm)	31.3
W (mm)	28
Y	M10
X (mm)	22.0
Z (mm)	637.0