

## Mod. 6590 - Series 6000 fittings

Product code: 6590 14

Datasheet creation date: 19/05/2026 18:03

Check the most updated document online [click here](#)

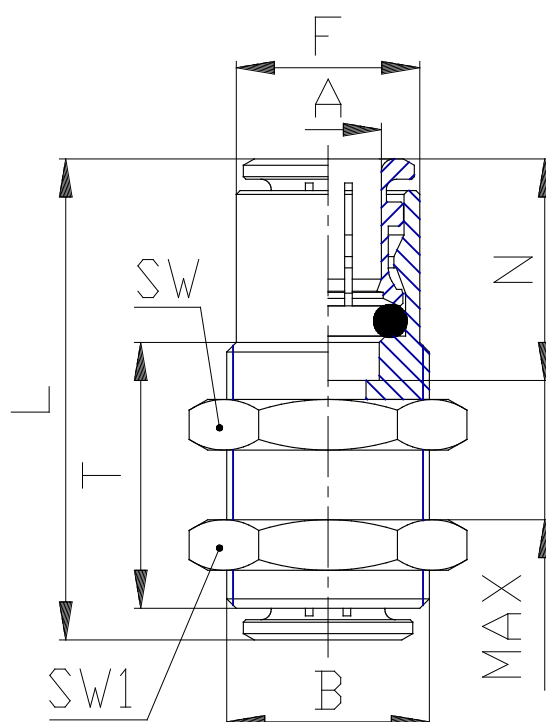


### TECHNICAL DATA

Mod.	6590 14
------	---------

## Mod. 6590 - Series 6000 fittings

Product code: 6590 14



### DIMENSIONS

<b>A (mm)</b>	14
<b>B</b>	M22x1
<b>F (mm)</b>	20.5
<b>L (mm)</b>	41.5
<b>N (mm)</b>	20.2
<b>SW (mm)</b>	27
<b>SW1 (mm)</b>	27
<b>T (mm)</b>	30.0