

## Mod. 6512 - Series 6000 fittings

Product code: 6512 8-1/8

Datasheet creation date: 19/05/2026 08:53

Check the most updated document online [click here](#)

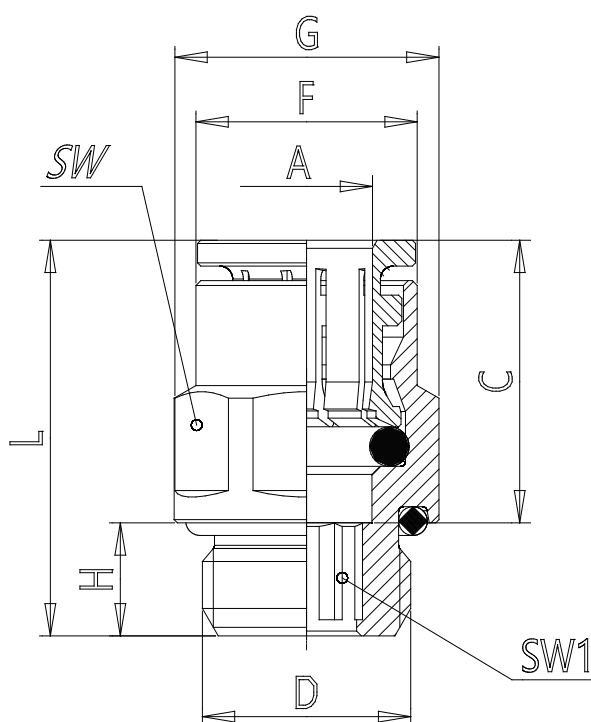


### TECHNICAL DATA

|      |            |
|------|------------|
| Mod. | 6512 8-1/8 |
|------|------------|

## Mod. 6512 - Series 6000 fittings

Product code: 6512 8-1/8



### DIMENSIONS

|                   |      |
|-------------------|------|
| <b>A (mm)</b>     | 8    |
| <b>D (mm)</b>     | G1/8 |
| <b>C (mm)</b>     | 17.5 |
| <b>F (mm)</b>     | 13.7 |
| <b>G (mm)</b>     | 15.2 |
| <b>H (mm)</b>     | 6.0  |
| <b>L (mm)</b>     | 26.0 |
| <b>SW (mm)</b>    | 14   |
| <b>SW1 (mm)</b>   | 5.0  |
| <b>Weight (g)</b> | 15   |