

Mod. 6512 - Series 6000 fittings

Product code: 6512 6-M5

Datasheet creation date: 19/05/2026 08:53

Check the most updated document online [click here](#)

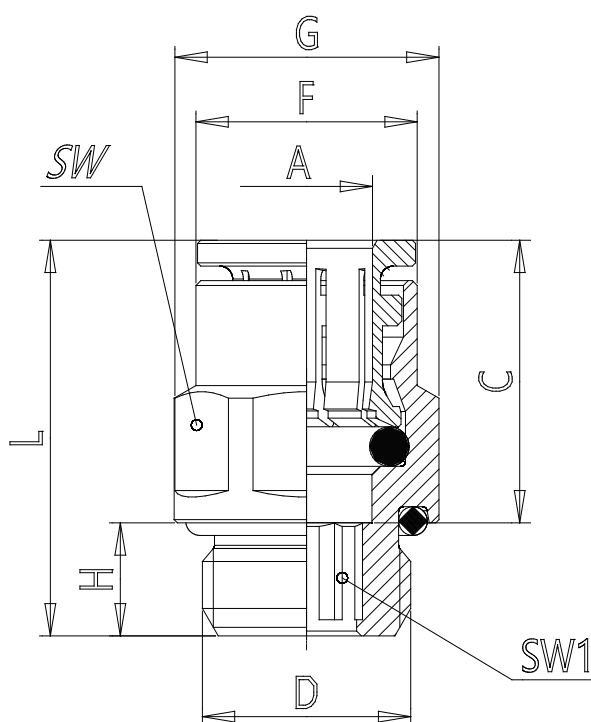


TECHNICAL DATA

Mod.	6512 6-M5
------	-----------

Mod. 6512 - Series 6000 fittings

Product code: 6512 6-M5



DIMENSIONS

A (mm)	6
D (mm)	M5
C (mm)	16.0
F (mm)	11.7
G (mm)	13.2
H (mm)	4.0
L (mm)	22.0
SW (mm)	12
SW1 (mm)	2.0
Weight (g)	8