

Mod. 6512 - Series 6000 fittings

Product code: 6512 6-1/8

Datasheet creation date: 19/05/2026 09:08

Check the most updated document online [click here](#)

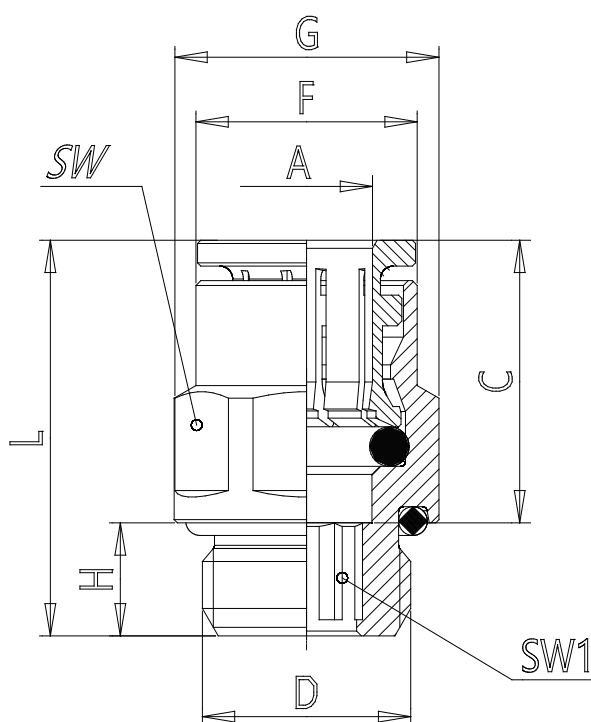


TECHNICAL DATA

Mod.	6512 6-1/8
------	------------

Mod. 6512 - Series 6000 fittings

Product code: 6512 6-1/8



DIMENSIONS

A (mm)	6
D (mm)	G1/8
C (mm)	16.0
F (mm)	11.7
G (mm)	13.5
H (mm)	6.0
L (mm)	21.0
SW (mm)	12
SW1 (mm)	4.0
Weight (g)	10