

Mod. 6512 - Series 6000 fittings

Product code: 6512 16-1/2

Datasheet creation date: 19/05/2026 23:21

Check the most updated document online [click here](#)

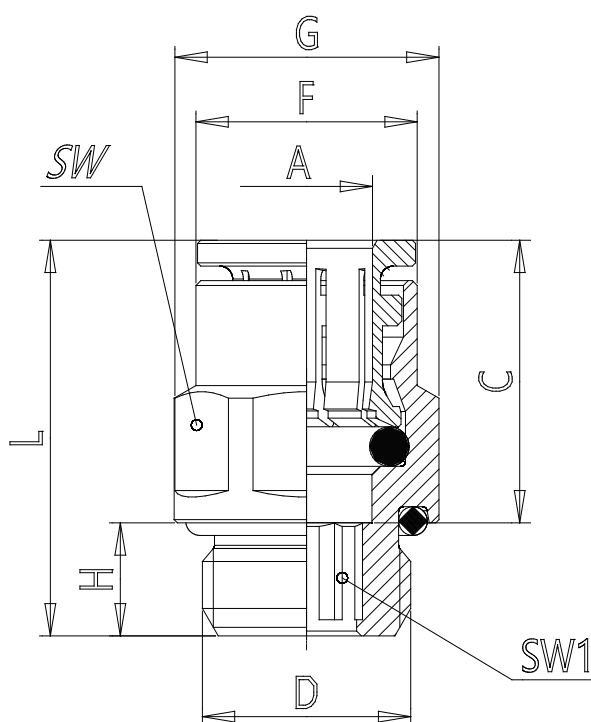


TECHNICAL DATA

Mod.	6512 16-1/2
------	-------------

Mod. 6512 - Series 6000 fittings

Product code: 6512 16-1/2



DIMENSIONS

A (mm)	16
D (mm)	G1/2
C (mm)	23.0
F (mm)	23.5
G (mm)	26.5
H (mm)	8.0
L (mm)	33.5
SW (mm)	24
SW1 (mm)	10.0
Weight (g)	49