

## Mod. 6512 - Series 6000 fittings

Product code: 6512 10-3/8

Datasheet creation date: 19/05/2026 08:53

Check the most updated document online [click here](#)

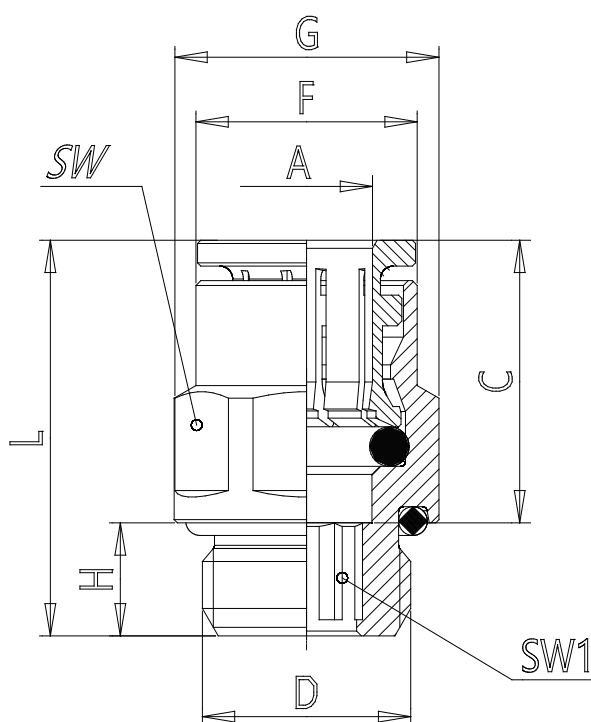


### TECHNICAL DATA

Mod.	6512 10-3/8
------	-------------

## Mod. 6512 - Series 6000 fittings

Product code: 6512 10-3/8



### DIMENSIONS

<b>A (mm)</b>	10
<b>D (mm)</b>	G3/8
<b>C (mm)</b>	20.2
<b>F (mm)</b>	15.4
<b>G (mm)</b>	20.5
<b>H (mm)</b>	7.0
<b>L (mm)</b>	24.5
<b>SW (mm)</b>	19
<b>SW1 (mm)</b>	8.0
<b>Weight (g)</b>	27