

3/2-way solenoid valve - Mod. 638/648

Product code: 648-150-A6D

Datasheet creation date: 19/05/2026 16:53

Check the most updated document online [click here](#)

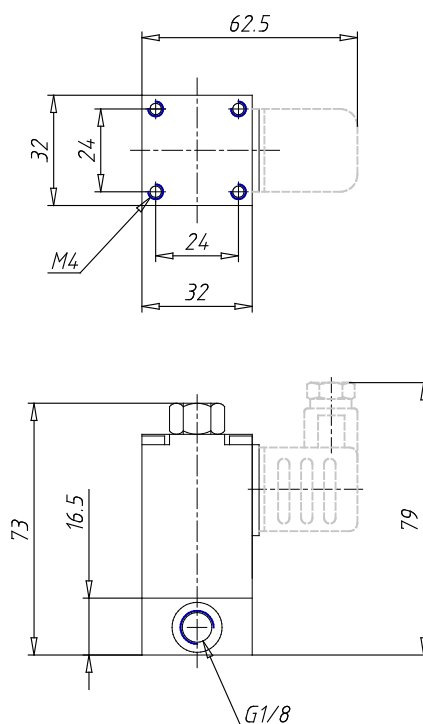


TECHNICAL DATA

Cod.	648-150-A6
Voltage	D = 110 V 50/60 Hz - 12 VA
Version	= Standard

3/2-way solenoid valve - Mod. 638/648

Product code: 648-150-A6D



DIMENSIONS

Thread port	G1/8
Function	3/2 N.A.
Orifice (Ø mm)	2
Qn (NI/mm)	80
Pressure min-max (bar)	0÷8