

Cylinders - aluminium profile ISO 15552 (ex DIN/ISO 6431 / VDMA 24562) - Series 61

Product code: 61M2P032A0250

Datasheet creation date: 19/05/2026 08:41

Check the most updated document online [click here](#)

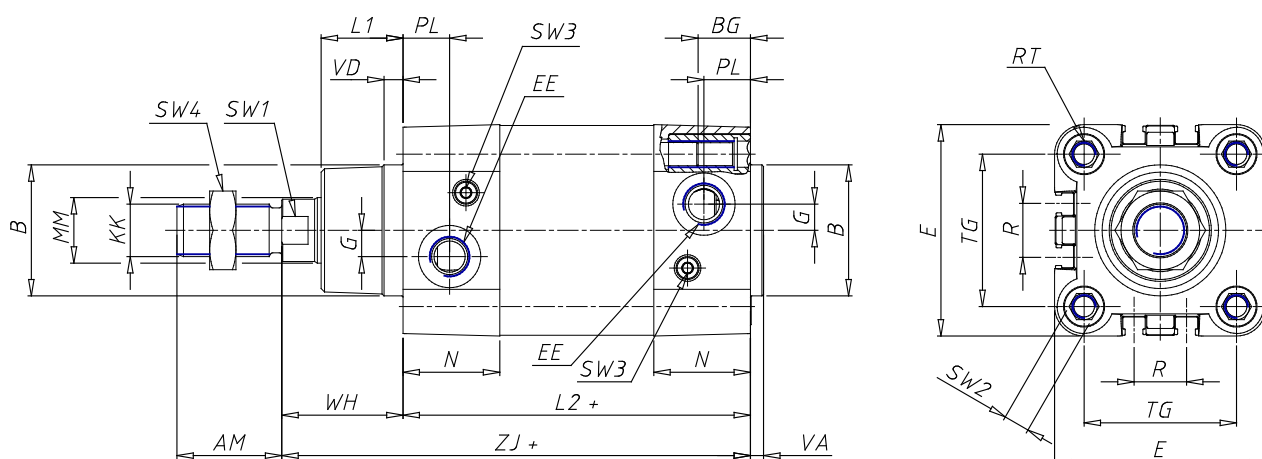


TECHNICAL DATA

Series	61
Diameter (mm)	32
Version	M = magnetic standard
Operation	2=double acting (front and rear cushioning)
Materials	P = standard: AL end-blocks and piston, rolled stainless steel AISI 420B rod, anodized AL profile tube, zinc-plated steel tie-rods and tie-rod nuts, PU seals
Construction	A = standard with lock nut for rod
Stroke type	= standard
Stroke (mm)	250
Seal options	= standard
Rod length (mm)	0
(mm)	0
Protection options	= standard
Certifications	= standard

Cylinders - aluminium profile ISO 15552 (ex DIN/ISO 6431 / VDMA 24562) - Series 61

Product code: 61M2P032A0250



DIMENSIONS

MM (mm)	12
KK	M10x1,25
B d11 (mm)	30
PL (mm)	14
L1 (mm)	18
L11 (mm)	18
L12 (mm)	58
AM (mm)	22
VA (mm)	4
VAX (mm)	4
EE	G1/8
WH (mm)	26
L2 (mm)	94.0
ZM (mm)	-
ZJ (mm)	120
ZMX (mm)	146
ZJX (mm)	120
VD (mm)	5
N (mm)	26.0
BG (mm)	16.0
RT	M6
TG (mm)	32.5
G (mm)	5.0

R (mm)	13.0
E (mm)	46.0
SW1 (mm)	10
SW2 (mm)	6
SW3 (mm)	2
SW4 (mm)	17
Cushion stroke front spring	17
Cushion stroke rear spring	12
L3 (mm)	197.5
L4 (mm)	8
L5 (mm)	13
L6 (mm)	20.5
L7 (mm)	34.0
L8 (mm)	45
L9 (mm)	94.0
ø D (mm)	12
ø D1 d11 (mm)	30.5
ø D2 (mm)	35
ø D3 f6 (mm)	25
± 0.15 (mm)	32.5
GX	M5
H (mm)	25.5
H1 (mm)	46.5