

## 3/2-way solenoid valve Mod. 600 - Mod. 600

Product code: 600-450-A6E

Datasheet creation date: 19/05/2026 16:54

Check the most updated document online [click here](#)

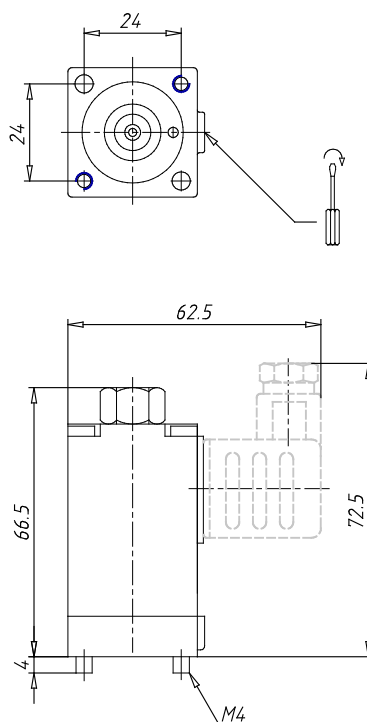


### TECHNICAL DATA

<b>Cod.</b>	600-450-A6
<b>Voltage</b>	E = 230 V 50/60 Hz - 12 VA
<b>Version</b>	= Standard

## 3/2-way solenoid valve Mod. 600 - Mod. 600

Product code: 600-450-A6E



### DIMENSIONS

<b>Interface</b>	Rotatable
<b>Function</b>	3/2 N.C.
<b>Orifice (Ø mm)</b>	2
<b>Qn (Nl/mm)</b>	106
<b>Pressure min-max (bar)</b>	0÷10