

## Manually operated valves - Series 1,3,4

Product code: 464-905

Datasheet creation date: 19/05/2026 08:50

Check the most updated document online [click here](#)

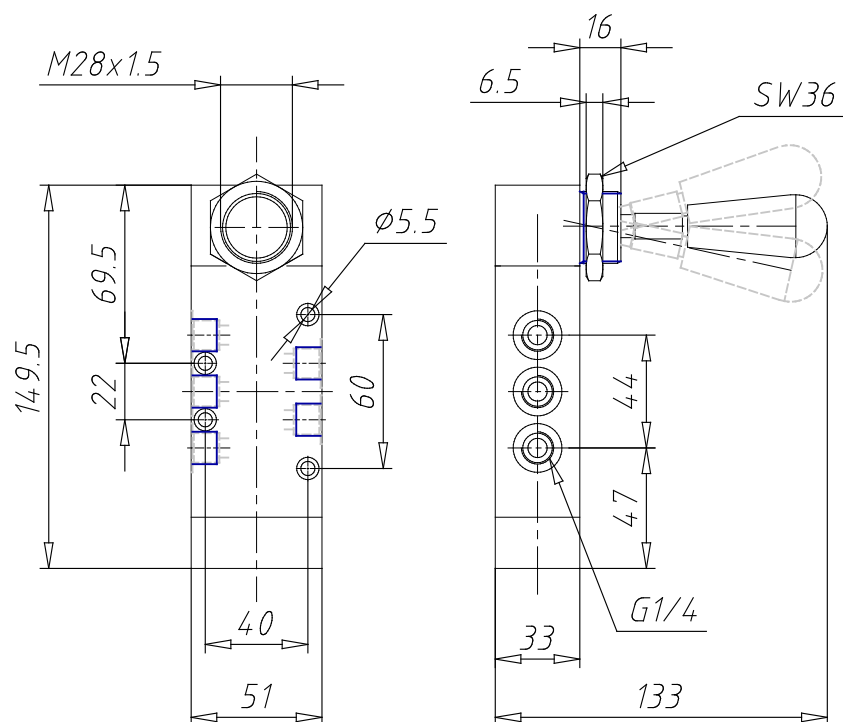


### TECHNICAL DATA

<b>Mod.</b>	464-905
<b>Actuating force (N)</b>	10
<b>Operating pressure (bar)</b>	-0.9+10
<b>Flow rate (NI/min)</b>	1250

## Manually operated valves - Series 1,3,4

Product code: 464-905



### DIMENSIONS

<b>Mod.</b>	464-905
<b>Actuating force (N)</b>	10
<b>Operating pressure (bar)</b>	-0.9÷10
<b>Flow rate (NI/min)</b>	1250