

Anti-rotation guide units - Series 45

Product code: 45NHT020A0100

Datasheet creation date: 19/05/2026 16:46

Check the most updated document online [click here](#)

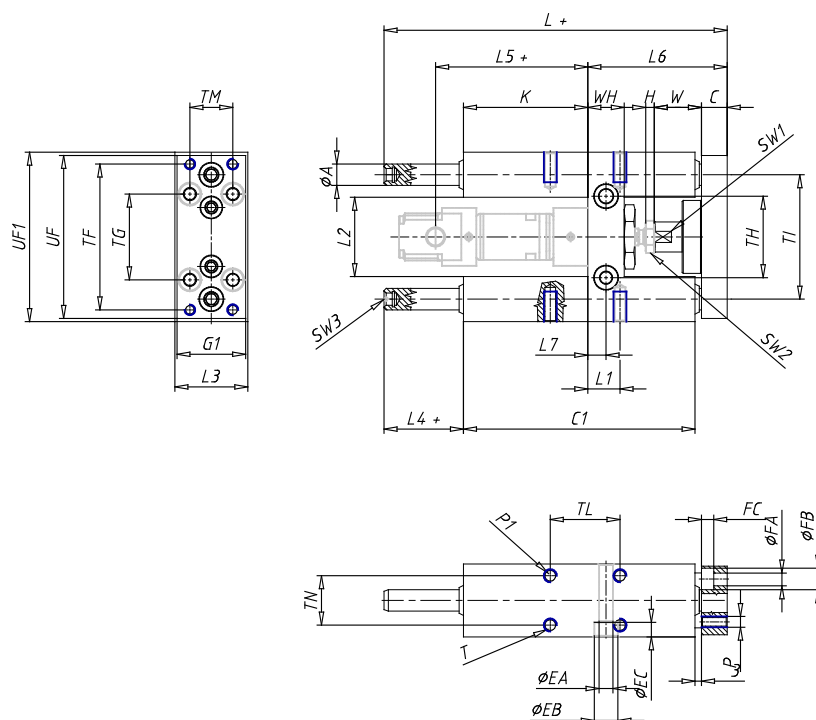


TECHNICAL DATA

Series	45
Version	N = standard
Operation	HT = "H" self lubricating guide
Diameter (mm)	20
Materials	A = anodized aluminium body, stainless steel columns AISI 420B
Stroke (mm)	100

Anti-rotation guide units - Series 45

Product code: 45NHT020A0100



DIMENSIONS

TF (mm)	68
TG (mm)	40.0
TH (mm)	38.0
TI (mm)	58
TM (mm)	20
TL (mm)	32.5
TN (mm)	23
UF1 (mm)	79
UF (mm)	76
G1 (mm)	32
A (mm)	10
WH (mm)	17
C1 (mm)	108
H (mm)	4
W (mm)	22
C (mm)	12
K (mm)	58
L (mm)	160.0
L1 (mm)	15
L2 (mm)	37.0
L3 (mm)	34
L4 (mm)	37
L5 (mm)	71.0

L6 (mm)	65.0
L7 (mm)	8.5
L8 (mm)	0
P	M5
P1	M6
T (mm)	14
EA (mm)	6.5
EB (mm)	11
EC (mm)	6.8
FA (mm)	5.5
FB (mm)	10.0
FC (mm)	5.7
SW1 (mm)	13
SW2 (mm)	13
SW3 (mm)	6