

5/2-way solenoid valve, G1/4, monostable - Series 4

Product code: 454-015-22

Datasheet creation date: 19/05/2026 08:48

Check the most updated document online [click here](#)

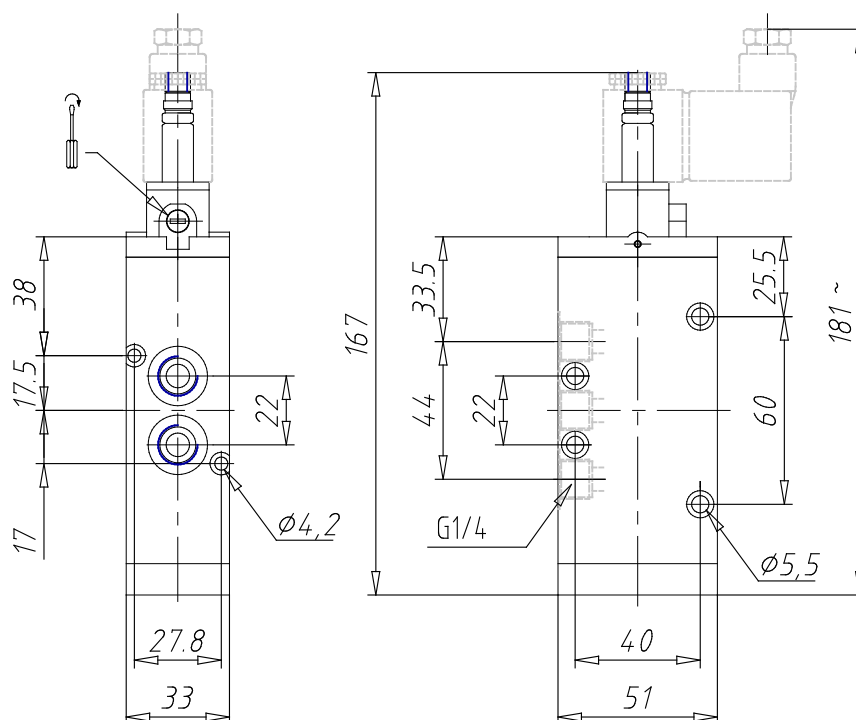


TECHNICAL DATA

| | |
|-----------------------------------|----------------------|
| Mod. | 454-015-22 |
| Function | 5/2 |
| Flow rate (NI/min) | 1250 |
| Operating pressure | 2.5 ÷ 10 |
| Type of manual override | = bistable, standard |
| Dimensions of the solenoid | No solenoid |
| Solenoid voltage | |

5/2-way solenoid valve, G1/4, monostable - Series 4

Product code: 454-015-22



DIMENSIONS

| | |
|-----------------------------------|----------------------|
| Mod. | 454-015-22 |
| Function | 5/2 |
| Flow rate (NI/min) | 1250 |
| Operating pressure | 2.5 ÷ 10 |
| Type of manual override | = bistable, standard |
| Dimensions of the solenoid | No solenoid |
| Solenoid voltage | |