

5/2-way solenoid valve, G3/8, monostable - Series 4

Product code: 453-016-22

Datasheet creation date: 19/05/2026 17:07

Check the most updated document online [click here](#)

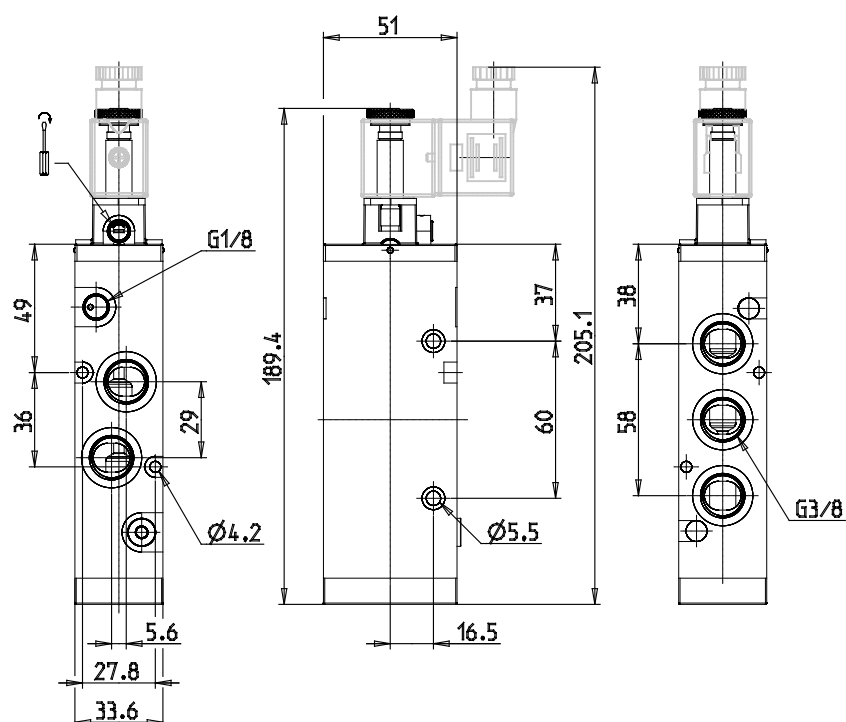


TECHNICAL DATA

Mod.	453-016-22
Function	5/2
Flow rate (Nl/min)	1800
Operating pressure (bar)	2,5-10
Min. pilot pressure (bar)	-

5/2-way solenoid valve, G3/8, monostable - Series 4

Product code: 453-016-22



DIMENSIONS

Mod.	453-016-22
Function	5/2
Flow rate (NI/min)	1800
Operating pressure (bar)	2,5-10
Min. pilot pressure (bar)	-