

Hydraulic brakes - Series 43

Product code: 43N-PSV-40-050

Datasheet creation date: 19/05/2026 15:52

Check the most updated document online [click here](#)

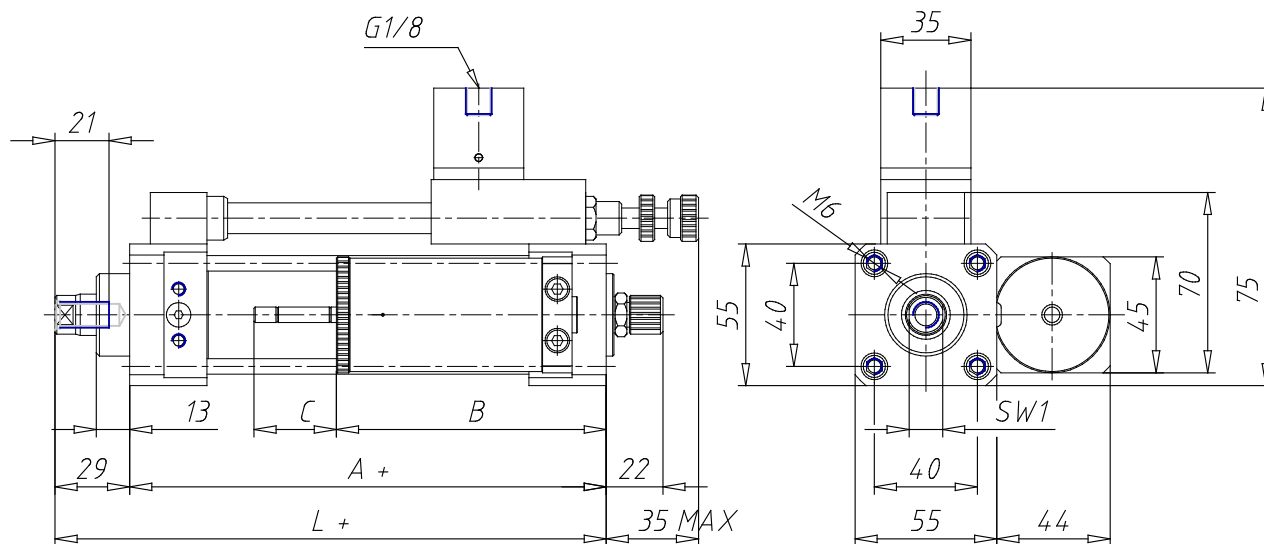


TECHNICAL DATA

Series	43
Diameter (mm)	40
Version	N = standard
Bowl	P = parallel tank
Regulation	S = thrust (adjustment of rod return)
Valve	V = STOP valve
Stroke (mm)	50

Hydraulic brakes - Series 43

Product code: 43N-PSV-40-050



DIMENSIONS

A (mm)	85
B (mm)	105
C (mm)	32
L (mm)	114
SW1 (mm)	13