

## Hydraulic brakes - Series 43

Product code: 43N-PSB-40-150

Datasheet creation date: 19/05/2026 16:34

Check the most updated document online [click here](#)

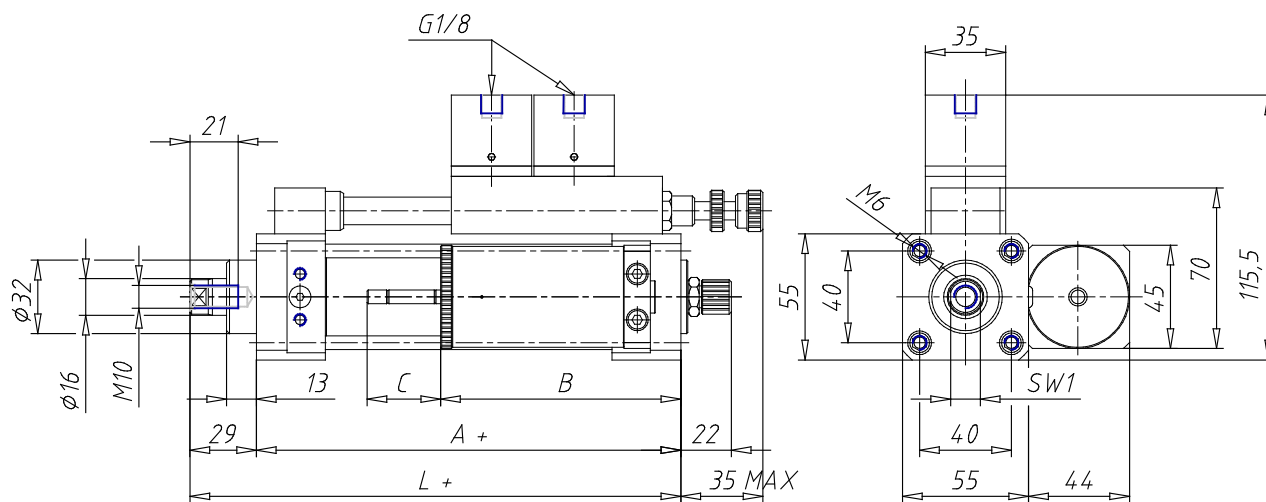


### TECHNICAL DATA

<b>Series</b>	43
<b>Diameter (mm)</b>	40
<b>Version</b>	N = standard
<b>Bowl</b>	P = parallel tank
<b>Regulation</b>	S = thrust (adjustment of rod return)
<b>Valve</b>	B = SKIP + STOP valve
<b>Stroke (mm)</b>	150

## Hydraulic brakes - Series 43

Product code: 43N-PSB-40-150



### DIMENSIONS

<b>A (mm)</b>	85
<b>B (mm)</b>	125
<b>C (mm)</b>	47
<b>L (mm)</b>	114
<b>SW1 (mm)</b>	13