

Hydraulic brakes - Series 43

Product code: 43N-LTV-40-300

Datasheet creation date: 19/05/2026 15:56

Check the most updated document online [click here](#)

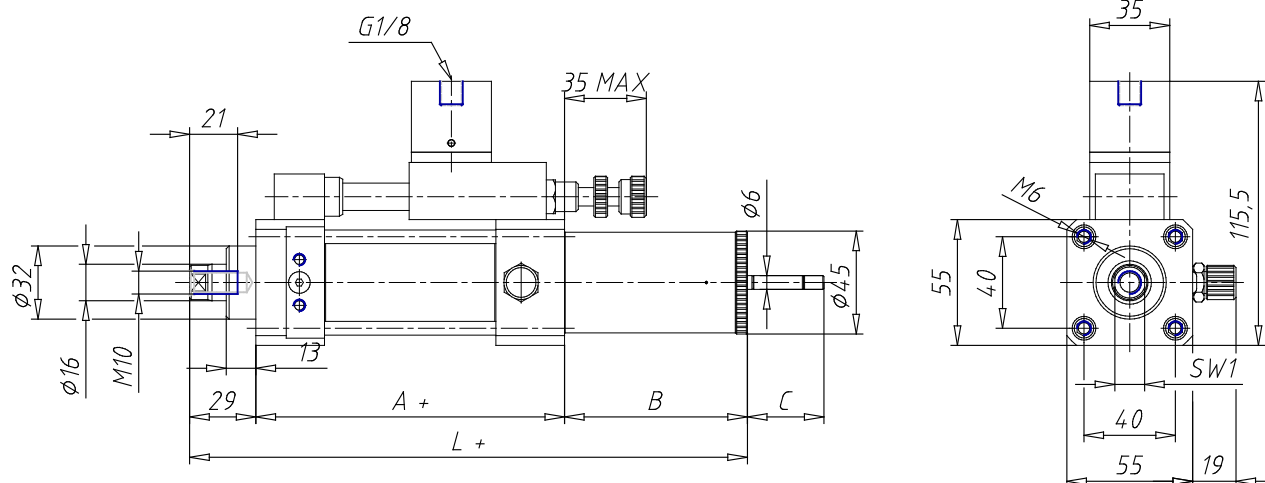


TECHNICAL DATA

Series	43
Diameter (mm)	40
Version	N = standard
Bowl	L = inline tank
Regulation	T = traction (adjustment of rod thrust)
Valve	V = STOP valve
Stroke (mm)	300

Hydraulic brakes - Series 43

Product code: 43N-LTV-40-300



DIMENSIONS

A (mm)	85
B (mm)	125
C (mm)	67
L (mm)	214
SW1 (mm)	13