

## 3/2-way valve, G1/4 port, bistable - Series 4

Product code: 434-34

Datasheet creation date: 19/05/2026 17:06

Check the most updated document online [click here](#)

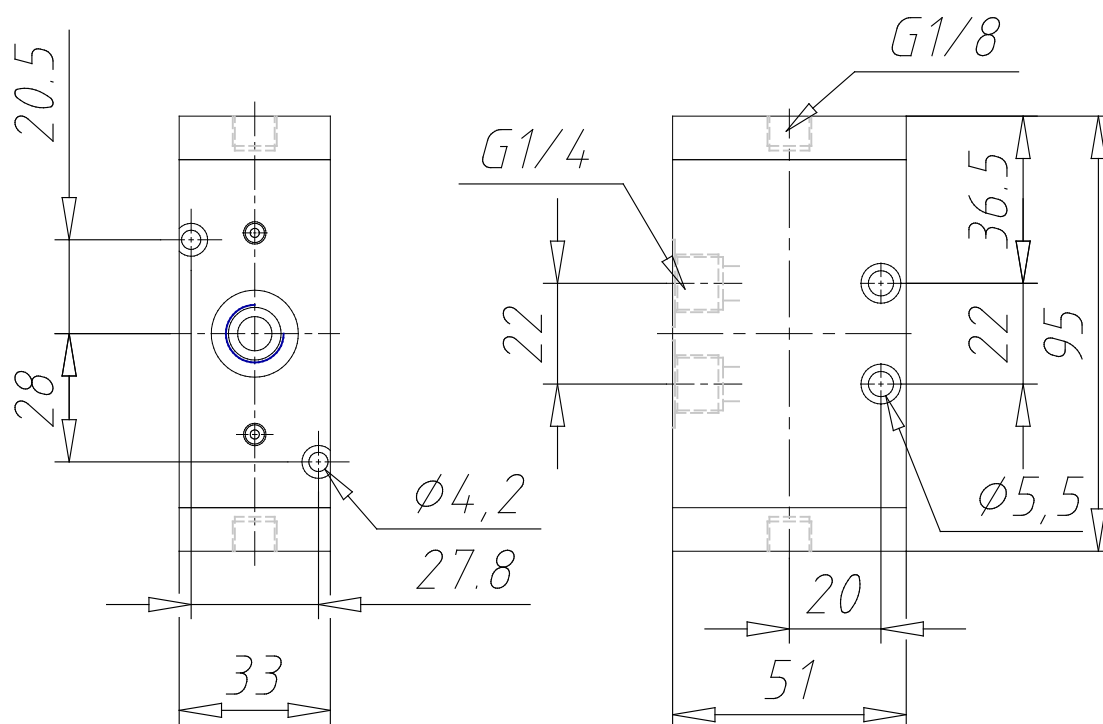


### TECHNICAL DATA

<b>Mod.</b>	434-34
<b>Mounting</b>	Without base/conv.
<b>Function</b>	3/2 NC
<b>Flow rate</b>	1250
<b>P. min pilot. (bar)</b>	2

### 3/2-way valve, G1/4 port, bistable - Series 4

Product code: 434-34



#### DIMENSIONS

<b>Mod.</b>	434-34
<b>Mounting</b>	Without base/conv.
<b>Function</b>	3/2 NC
<b>Flow rate</b>	1250
<b>P. min pilot. (bar)</b>	2