

3/2-way solenoid valve, G1/4, monostable - Series 4

Product code: 434-016-22

Datasheet creation date: 19/05/2026 17:05

Check the most updated document online [click here](#)

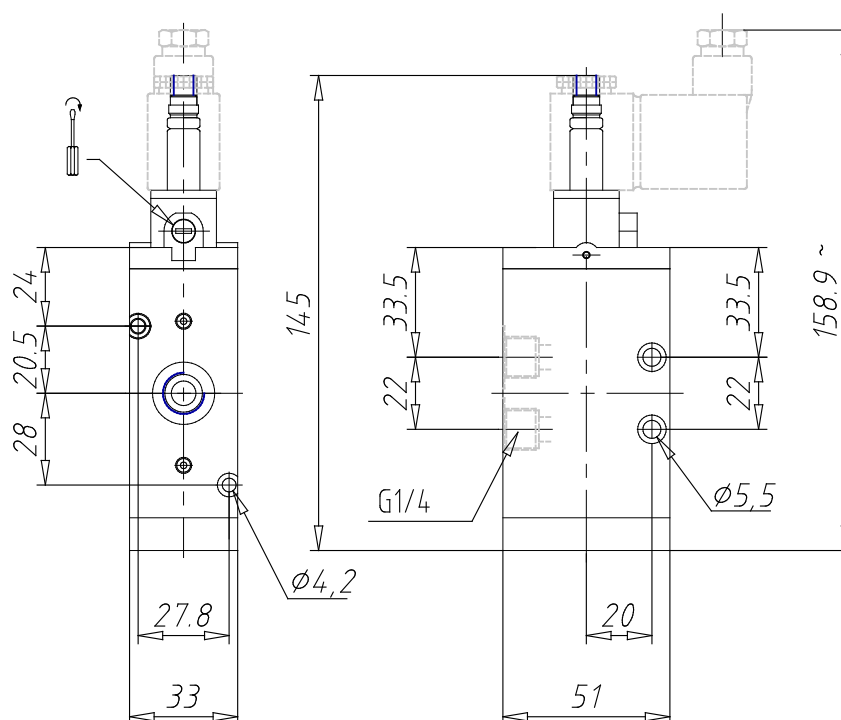


TECHNICAL DATA

Mod.	434-016-22
Function	3/2 NC
Flow rate (Nl/min)	1250
Operating pressure	2.5 ÷ 10
Type of manual override	= bistable, standard
Dimensions of the solenoid	No solenoid
Solenoid voltage	

3/2-way solenoid valve, G1/4, monostable - Series 4

Product code: 434-016-22



DIMENSIONS

Mod.	434-016-22
Function	3/2 NC
Flow rate (NI/min)	1250
Operating pressure	2.5 ÷ 10
Type of manual override	= bistable, standard
Dimensions of the solenoid	No solenoid
Solenoid voltage	