

Mechanically operated valves - Series 1 and 3 / 358-945

Product code: 358-945

Datasheet creation date: 19/05/2026 08:50

Check the most updated document online [click here](#)

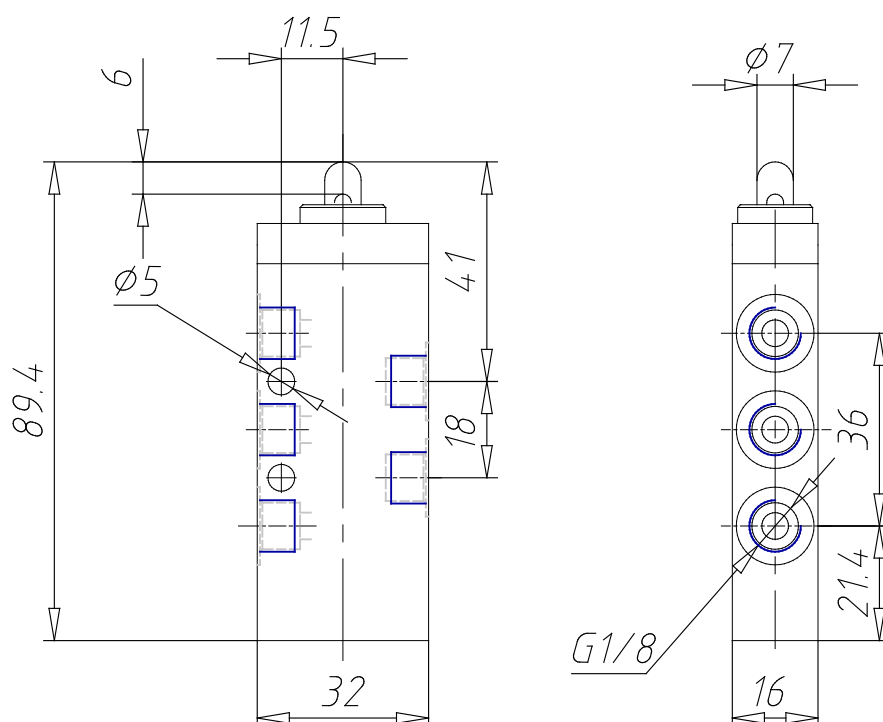


TECHNICAL DATA

Mod.	358-945
Operating pressure (bar)	0,9+10 bar
Flow rate	700NL/min
Actuating force	35N
Activity	Actuating plunger

Mechanically operated valves - Series 1 and 3 / 358-945

Product code: 358-945



DIMENSIONS

Mod.	358-945
Operating pressure (bar)	0,9÷10 bar
Flow rate	700NL/min
Actuating force	35N
Activity	Actuating plunger