

## 3/2-way solenoid valve, G1/4, monostable - Mod. 334... Mod 344... - Series 3

Product code: 344-E15-02

Datasheet creation date: 19/05/2026 17:04

Check the most updated document online [click here](#)

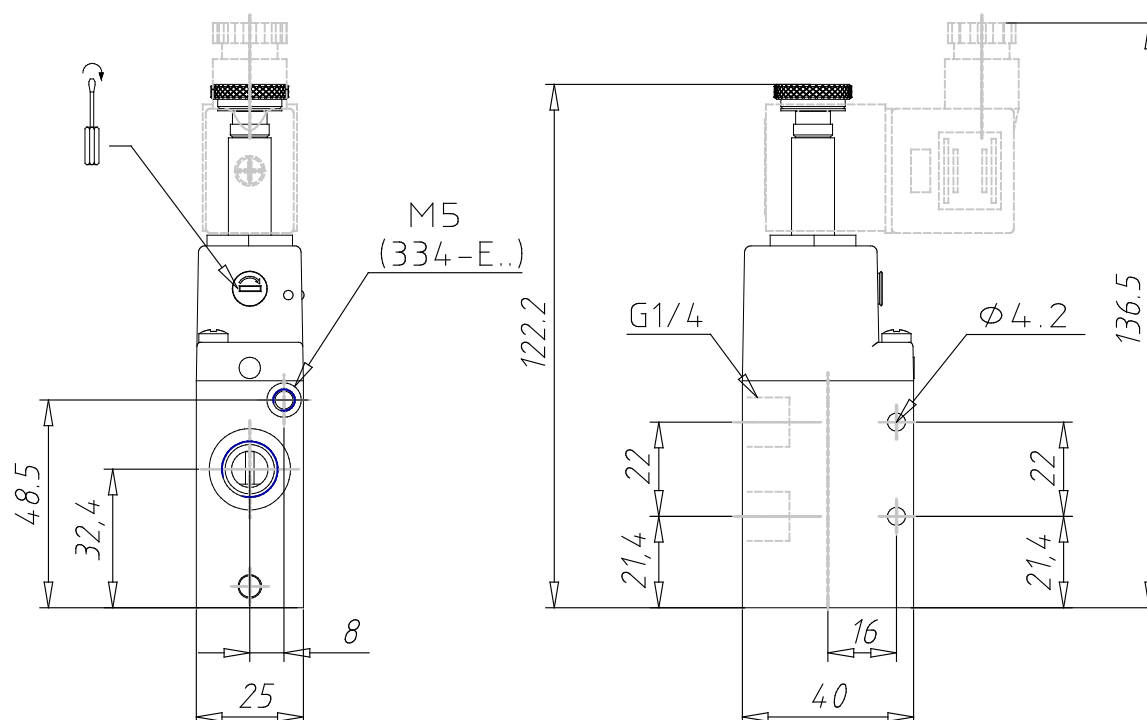


### TECHNICAL DATA

<b>Mod.</b>	344-E15-02
<b>Mounting</b>	In-line
<b>Function</b>	3/2NO
<b>Flow rate (NI/min)</b>	1300
<b>Operating pressure</b>	-0.9 ÷ 10
<b>Pilot pressure</b>	2.5 ÷ 10
<b>Manual override</b>	= bistable, standard
<b>Dimensions of the solenoid</b>	No solenoid
<b>Solenoid voltage</b>	

### 3/2-way solenoid valve, G1/4, monostable - Mod. 334... Mod 344... - Series 3

Product code: 344-E15-02



#### **DIMENSIONS**

<b>Mod.</b>	344-E15-02
<b>Mounting</b>	In-line
<b>Function</b>	3/2NO
<b>Flow rate (NI/min)</b>	1300
<b>Operating pressure</b>	-0.9 ÷ 10
<b>Pilot pressure</b>	2.5 ÷ 10
<b>Manual override</b>	= bistable, standard
<b>Dimensions of the solenoid</b>	No solenoid
<b>Solenoid voltage</b>	