

## Manually operated valves - Series 1,3,4

Product code: 338-975

Datasheet creation date: 19/05/2026 17:10

Check the most updated document online [click here](#)

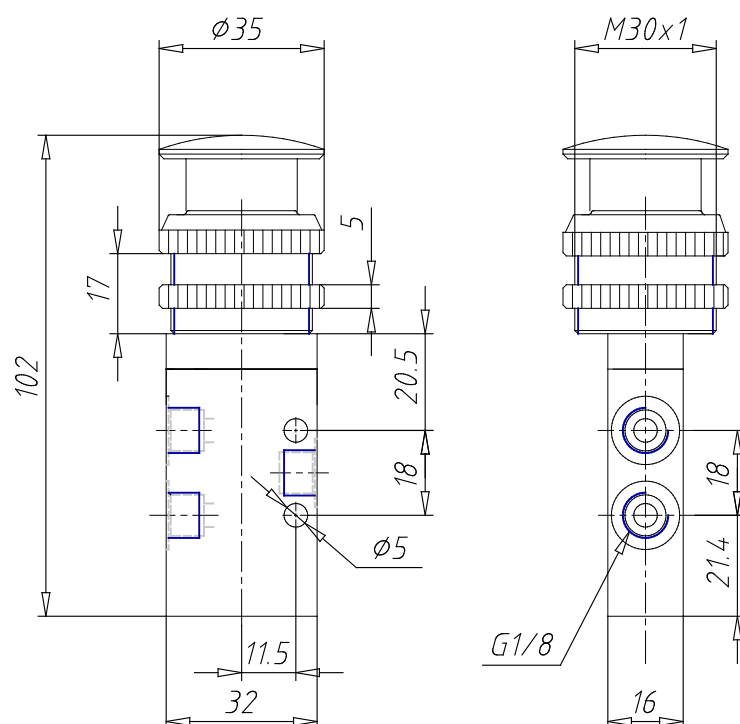


### TECHNICAL DATA

<b>Mod.</b>	338-975
<b>Actuating force (N)</b>	35
<b>Operating pressure (bar)</b>	-0.9+10
<b>Flow rate (Nl/min)</b>	700

## Manually operated valves - Series 1,3,4

Product code: 338-975



### DIMENSIONS

Mod.	338-975
Actuating force (N)	35
Operating pressure (bar)	-0.9÷10
Flow rate (NI/min)	700