

Mechanically operated valves - Series 1 and 3 / 338-965

Product code: 338-965

Datasheet creation date: 19/05/2026 17:10

Check the most updated document online [click here](#)

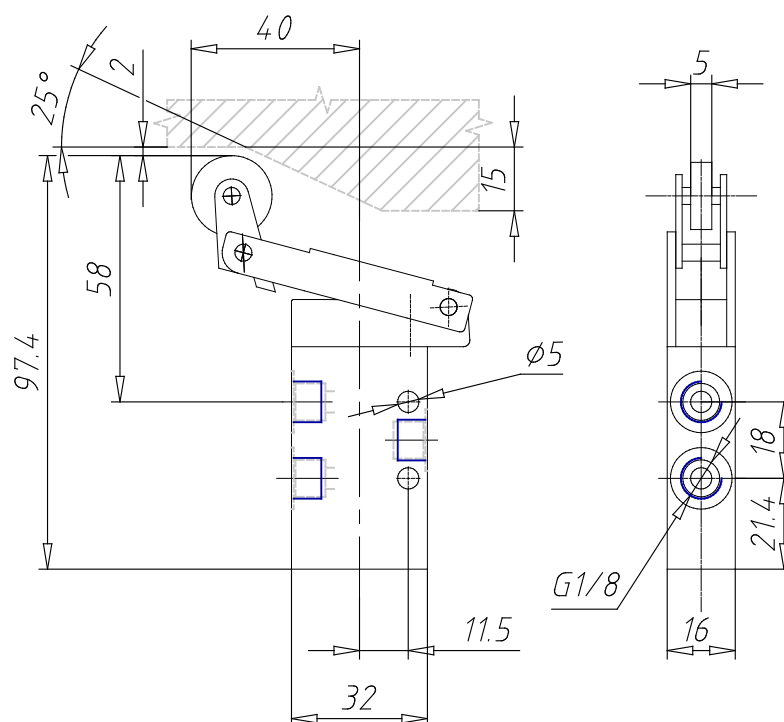


TECHNICAL DATA

Mod.	338-965
Operating pressure (bar)	0,9÷10 bar
Flow rate	700NL/min
Actuating force	15N
Activity	Actuating unidirectional lever / roller

Mechanically operated valves - Series 1 and 3 / 338-965

Product code: 338-965



DIMENSIONS

Mod.	338-965
Operating pressure (bar)	0,9÷10 bar
Flow rate	700NL/min
Actuating force	15N
Activity	Actuating unidirectional lever / roller