

Compact magnetic cylinders - Series 32

Product code: 32R2A080A040

Datasheet creation date: 19/05/2026 11:04

Check the most updated document online [click here](#)

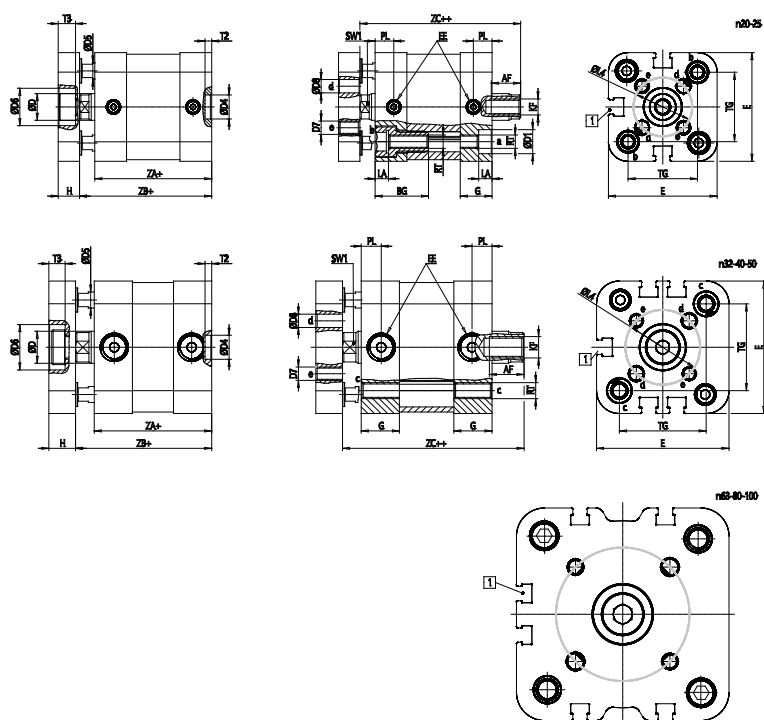


TECHNICAL DATA

Series	32
Version	R=non-rotating with flange only double acting
Operation	2=double-acting
Materials	A = anodized aluminium body, end blocks and piston,
Diameter (mm)	80
Construction	A = standard
Cylinder Stroke (mm)	40
Seal options	= standard
Rod length (mm)	0
Rod length 2 (mm)	0
Certifications	= standard

Compact magnetic cylinders - Series 32

Product code: 32R2A080A040



DIMENSIONS

A (mm)	28
AF (mm)	20
BG (mm)	0.0
G (mm)	14.8
Ø (mm)	20
Ø (mm)	0
D4 (mm)	12
D5 (mm)	12
D6 (mm)	24
D7	M8
D8 (mm)	8
E (mm)	95.6
EE	G1/8
H (mm)	14
KF	M12
KK	M16x1,5
LA (mm)	0
L4 (mm)	65
PL (mm)	7.7
RT	M10
SW1 (mm)	17
T2 (mm)	4
T3 (mm)	10.5

TG (mm)	72.0
ZA (mm)	54.0
ZB (mm)	63.5
ZC (mm)	73