

## Compact magnetic cylinders - Series 32

Product code: 32R2A063A050

Datasheet creation date: 19/05/2026 11:01

Check the most updated document online [click here](#)

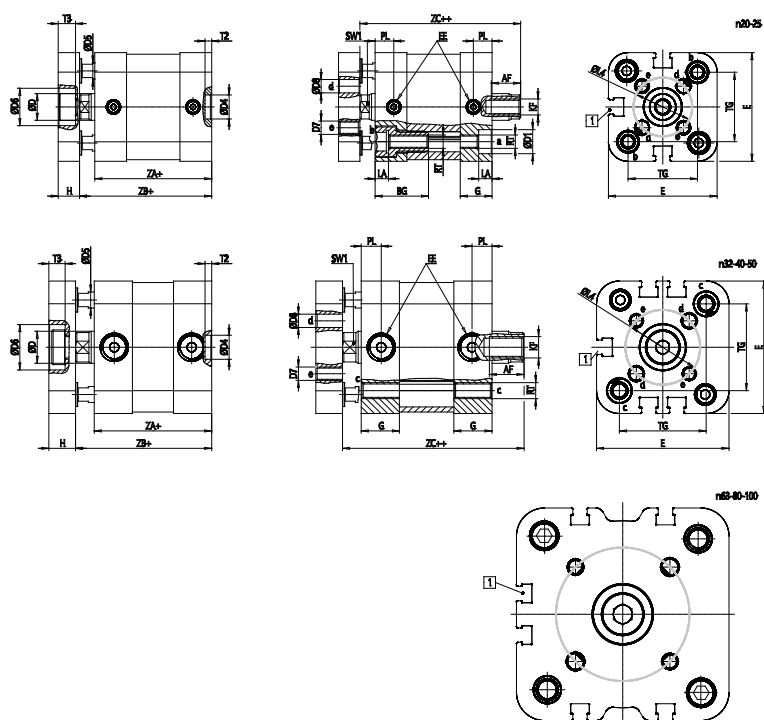


### TECHNICAL DATA

<b>Series</b>	32
<b>Version</b>	R=non-rotating with flange only double acting
<b>Operation</b>	2=double-acting
<b>Materials</b>	A = anodized aluminium body, end blocks and piston,
<b>Diameter (mm)</b>	63
<b>Construction</b>	A = standard
<b>Cylinder Stroke (mm)</b>	50
<b>Seal options</b>	= standard
<b>Rod length (mm)</b>	0
<b>Rod length 2 (mm)</b>	0
<b>Certifications</b>	= standard

## Compact magnetic cylinders - Series 32

Product code: 32R2A063A050



### DIMENSIONS

A (mm)	22
AF (mm)	16
BG (mm)	0.0
G (mm)	14
Ø (mm)	16
Ø (mm)	0
D4 (mm)	12
D5 (mm)	10
D6 (mm)	22
D7	M6
D8 (mm)	6
E (mm)	79.6
EE	G1/8
H (mm)	12
KF	M10
KK	M12x1,25
LA (mm)	0
L4 (mm)	50
PL (mm)	7.6
RT	M8
SW1 (mm)	13
T2 (mm)	4
T3 (mm)	7

TG (mm)	56.5
ZA (mm)	49.0
ZB (mm)	57.0
ZC (mm)	65