

Compact magnetic cylinders - Series 32

Product code: 32R2A063A030

Datasheet creation date: 19/05/2026 11:44

Check the most updated document online [click here](#)

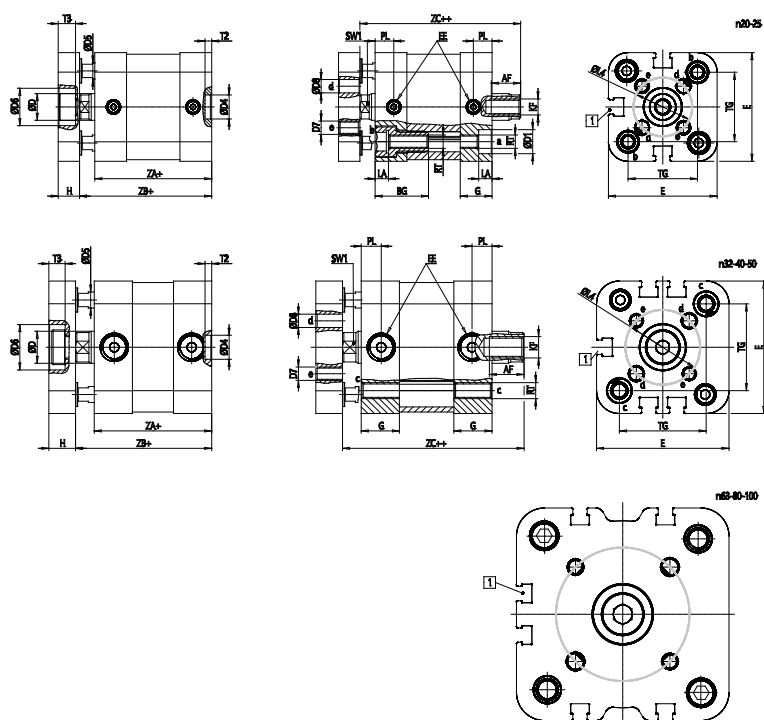


TECHNICAL DATA

Series	32
Version	R=non-rotating with flange only double acting
Operation	2=double-acting
Materials	A = anodized aluminium body, end blocks and piston,
Diameter (mm)	63
Construction	A = standard
Cylinder Stroke (mm)	30
Seal options	= standard
Rod length (mm)	0
Rod length 2 (mm)	0
Certifications	= standard

Compact magnetic cylinders - Series 32

Product code: 32R2A063A030



DIMENSIONS

A (mm)	22
AF (mm)	16
BG (mm)	0.0
G (mm)	14
Ø (mm)	16
Ø (mm)	0
D4 (mm)	12
D5 (mm)	10
D6 (mm)	22
D7	M6
D8 (mm)	6
E (mm)	79.6
EE	G1/8
H (mm)	12
KF	M10
KK	M12x1,25
LA (mm)	0
L4 (mm)	50
PL (mm)	7.6
RT	M8
SW1 (mm)	13
T2 (mm)	4
T3 (mm)	7

TG (mm)	56.5
ZA (mm)	49.0
ZB (mm)	57.0
ZC (mm)	65