

## Compact magnetic cylinders - Series 32

Product code: 32R2A040A050

Datasheet creation date: 19/05/2026 09:06

Check the most updated document online [click here](#)

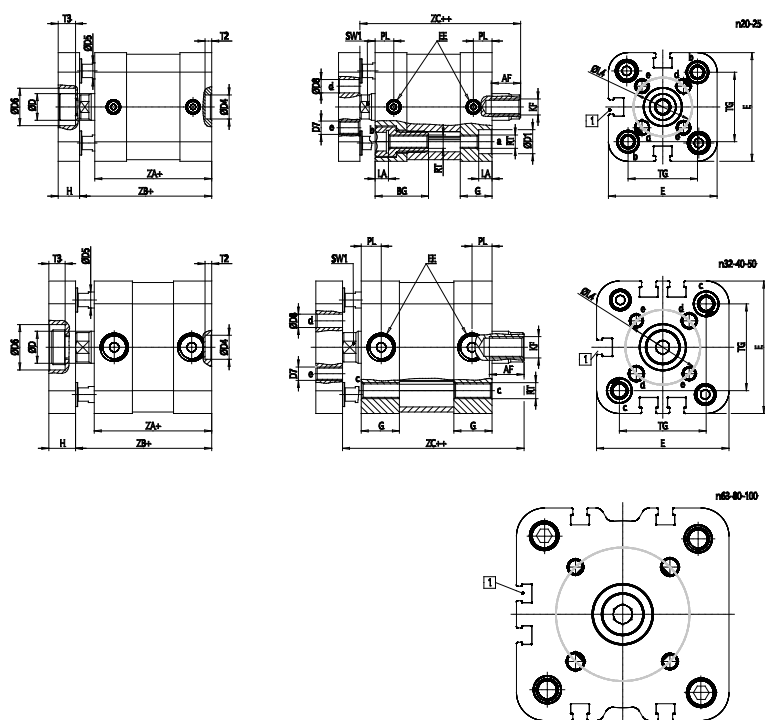


### TECHNICAL DATA

<b>Series</b>	32
<b>Version</b>	R=non-rotating with flange only double acting
<b>Operation</b>	2=double-acting
<b>Materials</b>	A = anodized aluminium body, end blocks and piston,
<b>Diameter (mm)</b>	40
<b>Construction</b>	A = standard
<b>Cylinder Stroke (mm)</b>	50
<b>Seal options</b>	= standard
<b>Rod length (mm)</b>	0
<b>Rod length 2 (mm)</b>	0
<b>Certifications</b>	= standard

## Compact magnetic cylinders - Series 32

Product code: 32R2A040A050



### DIMENSIONS

A (mm)	19
AF (mm)	13
BG (mm)	0.0
G (mm)	14.3
Ø (mm)	12
Ø (mm)	0
D4 (mm)	9
D5 (mm)	6
D6 (mm)	17
D7	M5
D8 (mm)	5
E (mm)	57.0
EE	G1\8
H (mm)	10
KF	M8
KK	M10x1,25
LA (mm)	0
L4 (mm)	33
PL (mm)	7.6
RT	M6
SW1 (mm)	10
T2 (mm)	4
T3 (mm)	6

TG (mm)	38.0
ZA (mm)	45.0
ZB (mm)	52.0
ZC (mm)	59