

## Compact cylinders - Series 31

Product code: 31R2A080A010

Datasheet creation date: 19/05/2026 21:21

Check the most updated document online [click here](#)

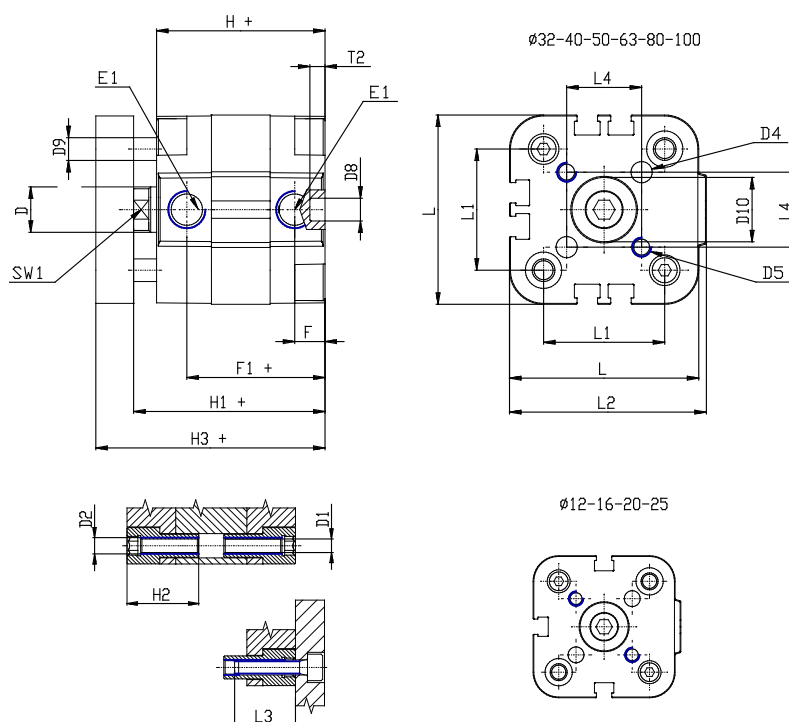


### TECHNICAL DATA

<b>Series</b>	31
<b>Version</b>	R=non-rotating with flange, only double acting
<b>Operation</b>	2=double-acting
<b>Materials</b>	A = rolled stainless steel AISI 303 rod, tube profile aluminium
<b>Diameter (mm)</b>	80
<b>Construction</b>	A = standard
<b>Stroke (mm)</b>	10
<b>Seal options</b>	= standard
<b>Rod length (mm)</b>	0
<b>Rod length 2 (mm)</b>	0
<b>Certifications</b>	= standard

## Compact cylinders - Series 31

Product code: 31R2A080A010



### DIMENSIONS

<b>Ø D (mm)</b>	20
<b>Ø D1 (mm)</b>	8.5
<b>D2</b>	M10
<b>D3</b>	M10
<b>Ø D4 (mm)</b>	8
<b>D5</b>	M8
<b>Ø D8 (mm)</b>	8
<b>D9 (mm)</b>	12
<b>D10 (mm)</b>	28
<b>E1</b>	G1/8
<b>F (mm)</b>	8.5
<b>F1 (mm)</b>	47.5
<b>H (mm)</b>	56.0
<b>H1 (mm)</b>	64.0
<b>H2 (mm)</b>	24.5
<b>K1</b>	M16x1,5
<b>L (mm)</b>	107
<b>L1 (mm)</b>	82
<b>L2 (mm)</b>	111.0
<b>L3 (mm)</b>	25
<b>L4 (mm)</b>	46.0
<b>T (mm)</b>	16
<b>T1 (mm)</b>	32

<b>T2 (mm)</b>	4
<b>SW1 (mm)</b>	17